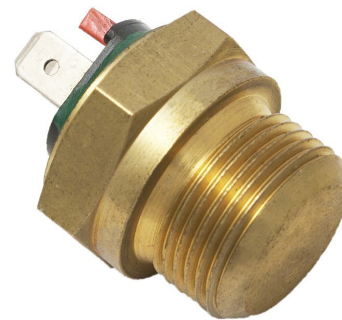


TH 476



Description

Thermal cutout TH 476 is made as one unit. Sensor and the electrical switch system are assembled, adjusted and enclosed in the brass body. To install it in specified hole, use thread M 22x1.,5 and hexagon OK 27 on the cutout body.

Connecting terminals are flat pins 6.3 mm that are electrically insulated from the cutout body. There is a reset pin located beside connecting terminals. Cutout head with flat pins is connected permanently with cutout body.

Installation

Fix TH 476 in specified hole using spanner No. 27. Screwing and unscrewing must not be done using flat pins on thermostat head.

Advantages

- any working position
- possibility of manual reset

Technical data

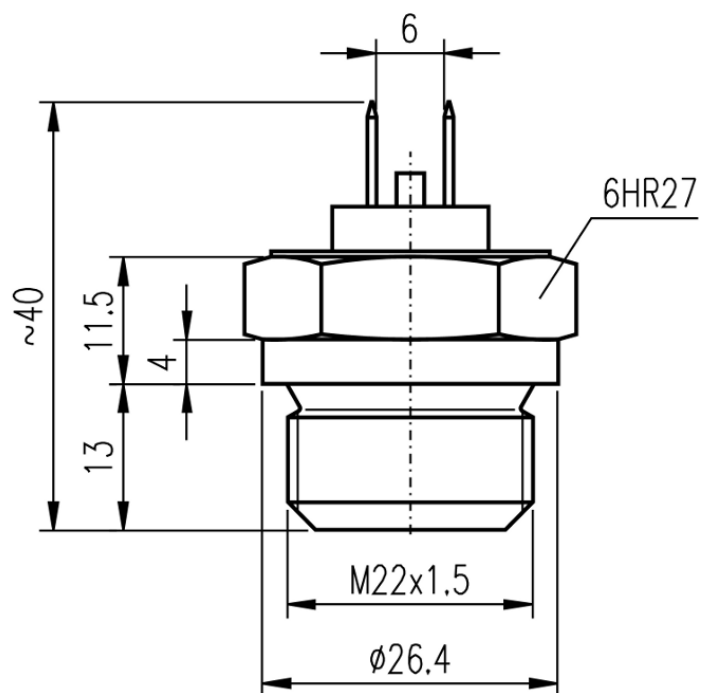
Thermal cutout TH476 is made in switch-off design (R). Cutout can be reset manually when temperature falls 15 °C or more below rated temperature. To protect device against frost, cutout is switched on automatically when temperature falls below 10 °C.

Range of rated temperature	from 35 °C to 97 °C
Setting accuracy of rated temperature	±2 °C (A), ±4 °C (B)
Rated voltage, rated current	24 V, 6 A DC
Lifetime	300 cycles
Resistance against vibrations	5 g
Weight	approx. 70 g

Ordering

Please specify following items in order:

- type
- rated temperature [°C]
- setting accuracy of rated temperature
- quantity



Contacts

APATOR METRA s. r. o.

Havlíčková 919/24

787 01 Šumperk

Czech Republic

Tel.: +420 583 718 261

Fax.: +420 583 718 150

E-mail: prodej@metra-su.cz

WWW: www.metra-su.cz

Your distributor:

The manufacturer reserves the right to change design, technical specifications and accessories without prior notice.