

# TECHNICAL THERMOMETER STRAIGHT DTR, ANGULAR DTU

## DESCRIPTION

Thermometers can be used for temperature measurement in any position. Thermometer head can be placed in environment with temperature range  $-30^{\circ}\text{C}$  to  $+80^{\circ}\text{C}$ . The maximum permissible deviation is  $\pm 2,5\%$  of scale range for all versions. Measured temperature must not exceed maximum scale range.

Thermometers are manufactured with various stem lengths as shown in the table. The whole measuring system must be placed in measured environment to ensure accurate measurement. Recommended installation depth  $P$  is 100 mm, or the whole length of shorter stems. In some cases especially at pressure bigger than 0,3 MPa or in liquid environment, stem must be placed in thermometer well. Maximum pressure when well is used is 0,6 MPa. Thermometers with range  $0^{\circ}\text{C}$  to  $350^{\circ}\text{C}$  and  $0^{\circ}\text{C}$  to  $450^{\circ}\text{C}$  can be only used with thermometer well.

Thermometer consists from plastic head and stem. Stem can be made from stainless steel or non-alloy steel class 11 (length up to 400 mm), or non-alloy steel only (length 630 mm or bigger). Stem length 630 mm is coated with protective varnish. Scale is protected by glass.



## TECHNICAL DATA

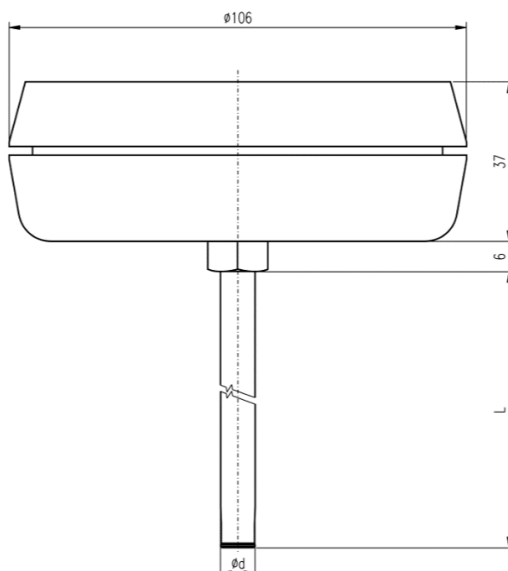
Type	Scale division [ $^{\circ}\text{C}$ ]	Scale range [ $^{\circ}\text{C}$ ]	Measuring range [ $^{\circ}\text{C}$ ]	Stem length... L [mm]								
				$\varnothing d = 8$ mm (stainless AKVS)					$\varnothing d = 12$ mm (steel cl. 11)			
				60	100	160	250	400	630	1000	15000	
DTR	1	-30 to 50	-20 to 40	X	X	X	X	X	X	X	X	
	1	0 to 120	20 to 120	X	X	X	X	X	X	X	X	
	2	0 to 200	20 to 180	X	X	X	X	X	X	X	X	
	5	0 to 350	50 to 300		X	X	X	X	X	X	X	
	10	0 to 450	50 to 400		X	X	X	X	X	X	X	
DTU	1	-30 to 50	-20 to 40		X	X	X	X	X	X	X	
	1	0 to 120	20 to 100		X	X	X	X	X	X	X	
	2	0 to 200	20 to 180		X	X	X	X	X	X	X	
	5	0 to 350	50 to 300		X	X	X	X	X	X	X	
	10	0 to 450	50 to 400		X	X	X	X	X	X	X	

## ORDERING

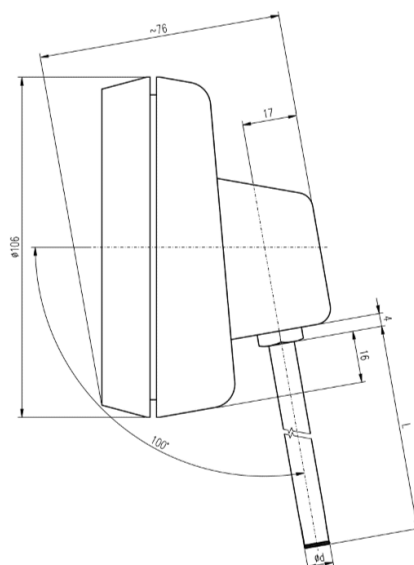
It is necessary to specify in the order:

- Thermometer type
- Quantity
- Scale range
- Stem length
- Stem material
- Accessory design (thermometer well, adjustable socket)

## TECHNICAL DRAWINGS



Straight thermometer



Angular thermometer

## CONTACTS

### APATOR METRA s.r.o.

Havlíčková 919/24

787 01 Šumperk

Czech Republic

Tel.: +420 583 718 261

E-mail: [prodej@metra-su.cz](mailto:prodej@metra-su.cz)

Web: [www.metra-su.cz](http://www.metra-su.cz)

Your distributor:

The manufacturer reserves the right change design, technical specifications and accesories without prior notice.

K2024/04a