

# CAPILLARY THERMOSTATS RT 8802, RT 8802.01A

## DESCRIPTION

Capillary thermostat RT is a single-pole temperature regulator based on the principle of liquid dilatation. It consists of two basic parts: switching unit and capillary temperature sensor. There is a protective earth pin on the cover. Regulated temperature can be set in control range by user. Installation is made by two M4 screws.



## ADVANTAGES

- Variable location of temperature sensor in relation to position of switching unit
- Switching unit can be installed in any position
- Capillary can be bent according to installation need
- No consumption of electrical power
- Low operating and servicing costs

## TECHNICAL DATA

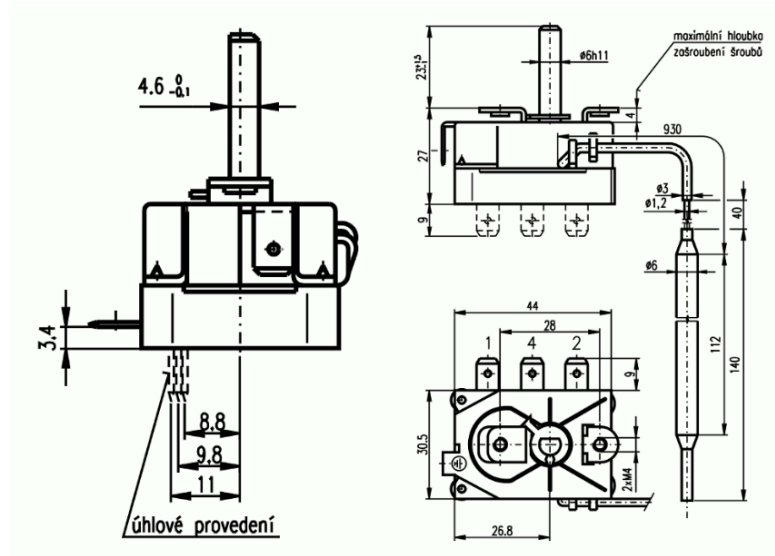
Control range	35°C ÷ 95°C
Variation of maximal cutout temperature	±4°C
Switching difference	2-5K
Rated current	16 (2,6) A
Rated voltage	240 V
Temperature range (switching unit)	0°C to 150°C
Max. Temperature (sensor)	110°C
Protection	IP 00, RT built-in thermostat
Protection class	I
Lifetime	100 000 working cycles
Capillary length	1 459 mm
Min. radius of capillary bend	$R_{min} = 5 \text{ mm}$
Connecting terminals	Flat pins 6,3 x 0,8 mm according to ČSN EN 612 10

In agreement with the manufacturer, the control range can be shifted to lower temperature, RT can be supplied in a switchable version or in 8802.01U with 90°C outlet (angled version - see technical drawings). Further information can be obtained from the manufacturer.

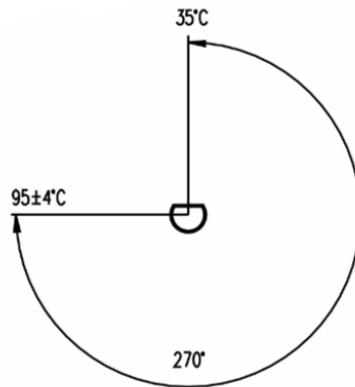
## OVERVIEW OF TYPE DESIGNATION

Type	Control range [°C]	Design (switch./break.)	No. of terminals	Design (straight/angular)	Ground pin
8802.01	35-95	Breaking	2	Straight	Yes
8802.01U	35-95	Breaking	2	Angular	Yes

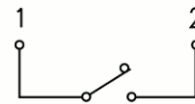
## TECHNICAL DRAWINGS



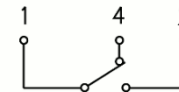
Control range



Wiring scheme in open position



Wiring scheme in close position



The terminal marking is made on the switch body

## CONTACTS

### APATOR METRA s.r.o.

Havlíčková 919/24  
787 01 Šumperk  
Czech Republic

Tel.: +420 583 718 261  
E-mail: prodej@metra-su.cz  
Web: www.metra-su.cz

Your distributor:

The manufacturer reserves the right to change design, technical specifications and accessories without prior notice.

K2024/03a