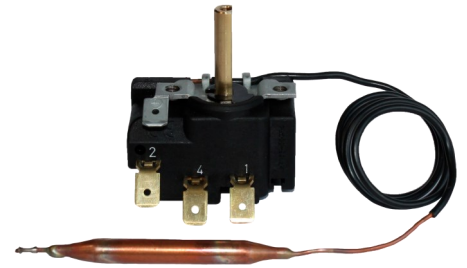


## Capillary thermostat KR XX.NN

# KR XX.NN

### Description

Capillary thermostat KR is a single-pole temperature regulator based on the principle of liquid dilatation. It consists from two basic parts: switching unit and capillary temperature sensor. The switching unit ensures micro-disconnection of phase wire. Thermostat is manufactured as circuit-opening type with or without signalling terminal that can signalize micro-disconnection of electrical load. Thermostat is intended to single-phase appliances for household and similar applications the norm ČSN EN 60335-1 is valid for. Usage for another purposes must be consulted with manufacturer. Thermostat is not intended for disconnection of electrical appliance from electrical network.



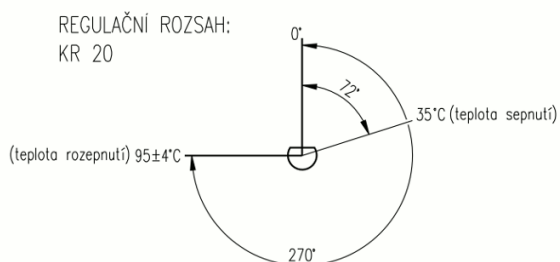
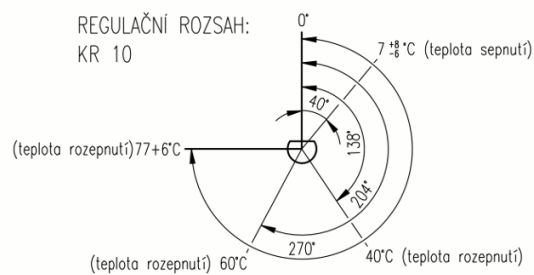
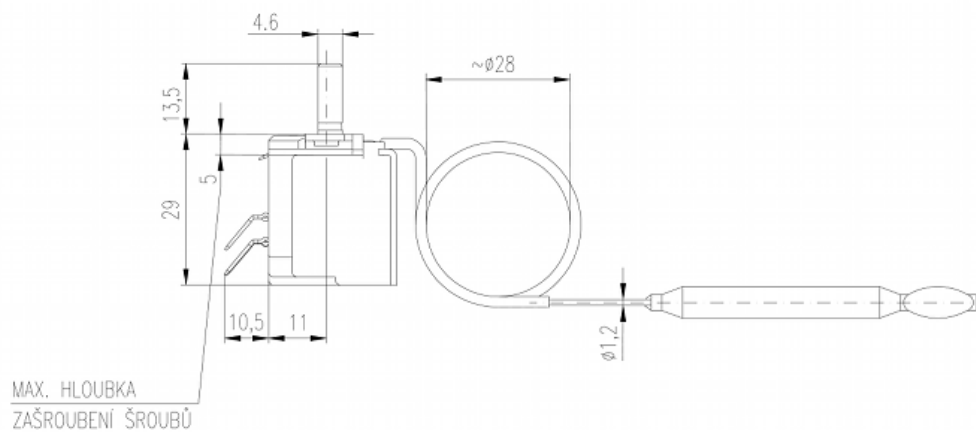
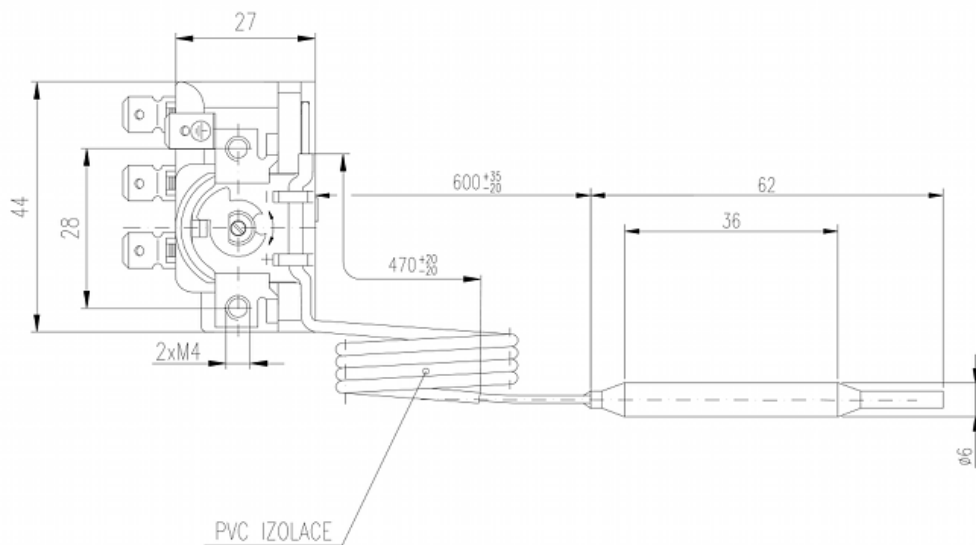
### Advantages

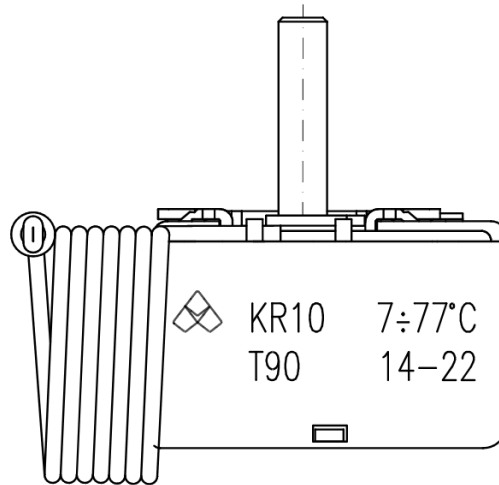
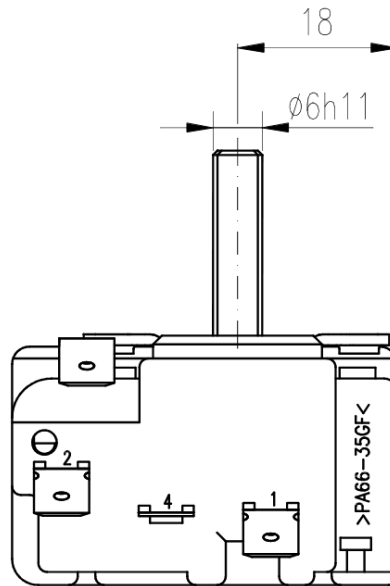
- variable location of temperature sensor in relation to position of switching unit
- switching unit can be installed in any position
- capillary can be bent according to installation need

### Technical data

KR	X	X	NN	
	X			operating range
			1	from 0 ÷ 15 °C to 20 ÷ 90 °C
			2	from 20 ÷ 45 °C to 90 ÷ 99 °C
		X	0	without signalling terminal
			1	with signalling terminal
			NN	labelling of special design according to negotiated technical conditions

Type	KR 10 (KR 11)	KR 20 (KR 21)
Control range	(7 ÷ 77) °C	(35 ÷ 95) °C
Variation of max. cutout temperature	±6°C	±4°C
Switching difference	2 ÷ 6 K	2 ÷ 6 K
Rated current	16/10 A	16/10 A
Rated current of signalling circuit	2 A	2 A
Minimal current	2 A	2 A
Type of load	0,95 φ	0,95 φ
Rated voltage	240/400 V ~	240/400 V ~
Temperature range (switching unit)	0 ÷ 90°C	0 ÷ 90°C
Max. temperature (sensor)	90°C	110°C
Protection	IP 00	IP 00
Protection class	I	I
Lifetime	100.000 working cycles	100.000 working cycles
Automatic type operation	2 BL	2 BL
Capillary length	500, 1 000 mm	500, 1 000 mm
Min. radius of capillary bend	5 mm	5 mm
Connecting terminals	flat pins 6,3 x 0,8 in accordance with ČSN EN 61210	flat pins 6,3 x 0,8 in accordance with ČSN EN 61210





## Contacts

**APATOR METRA s. r. o.**  
Havlíčková 919/24  
787 01 Šumperk  
Czech Republic

Tel.: +420 583 718 261  
Fax.: +420 583 718 150  
E-mail: [prodej@metra-su.cz](mailto:prodej@metra-su.cz)  
WWW: [www.metra-su.cz](http://www.metra-su.cz)

Your distributor:

The manufacturer reserves the right to change design, technical specifications and accessories without prior notice.