

CERTIFIKÁT EÚ SKÚŠKY TYPU

EU – type examination certificate

Číslo dokumentu: **SK 09-MI001-SMU009** **Revízia 7**
Document number: **SK 09-MI001-SMU009** **Revízia 7**
Document number: **SK 09-MI001-SMU009** **Revízia 7**
Revision 7 replaces the certificate issued by February 21, 2022 **Revision 7**

V súlade s: prílohou č. 2, Modul B nariadenia vlády Slovenskej republiky č. 145/2016 Z. z. o sprístupňovaní meradiel na trhu v znení nariadenia vlády SR č. 328/2019 Z. z., ktorým sa preberá smernica Európskeho parlamentu a Rady 2014/32/EU o harmonizácii právnych predpisov členských štátov týkajúcich sa sprístupnenia meradiel na trhu
In accordance with: **prílohou č. 2, Modul B nariadenia vlády Slovenskej republiky č. 145/2016 Z. z. o sprístupňovaní meradiel na trhu v znení nariadenia vlády SR č. 328/2019 Z. z., ktorým sa preberá smernica Európskeho parlamentu a Rady 2014/32/EU o harmonizácii právnych predpisov členských štátov týkajúcich sa sprístupnenia meradiel na trhu**
In accordance with: **prílohou č. 2, Modul B nariadenia vlády Slovenskej republiky č. 145/2016 Z. z. o sprístupňovaní meradiel na trhu v znení nariadenia vlády SR č. 328/2019 Z. z., ktorým sa preberá smernica Európskeho parlamentu a Rady 2014/32/EU o harmonizácii právnych predpisov členských štátov týkajúcich sa sprístupnenia meradiel na trhu**
Annex II, Module B to Government Ordinance of the Slovak Republic No. 145/2016 Coll. Relating to the making available on the market of measuring instruments as amended by Government Ordinance of the Slovak Republic No. 328/2019 Coll., which implemented the Directive 2014/32/EU of the European Parliament and of the Council on the harmonisation of the laws of the Member States relating to the making available on the market of measuring instruments

Žiadateľ/Výrobca: **Apator PoWoGaz S.A.**
Issued to (Manufacturer): **ul. Jaryszki 1c, 62-023 Żerniki, Poland**

Druh meradla: **Vodomer (MI-001)**
Type of instrument: **Water meter (MI-001)**

Označenie typu: **JS90**
Type designation: **JS90**

Základné požiadavky: príloha č. 1 a príloha č. 3 Vodometry (MI-001) k nariadeniu vlády SR č. 145/2016 Z. z. v znení nariadenia vlády SR č. 328/2019 Z. z.
Essential requirements: **príloha č. 1 a príloha č. 3 Vodometry (MI-001) k nariadeniu vlády SR č. 145/2016 Z. z. v znení nariadenia vlády SR č. 328/2019 Z. z.**
Annex No. I and Annex No. III Water meters (MI-001) to Government Ordinance of the Slovak Republic No. 145/2016 Coll. as amended by Government Ordinance of the Slovak Republic No. 328/2019 Coll.


Platnosť do: **20. septembra 2029**
Valid until: **September 20, 2029**

Notifikovaná osoba: **Slovenský metrologický ústav 1781**
Notified body: **Slovak Institute of Metrology 1781**

Dátum vydania: **29. apríl 2022**
Date of issue: **April 29th, 2022**

Základné charakteristiky, popis meradla a podmienky schválenia sú uvedené v prílohe, ktorá je súčasťou tohto certifikátu. Certifikát vrátane prílohy má spolu 11 strán.
Essential characteristics, instrument description and approval conditions are set out in the appendix hereto, which forms the part of the certificate. The certificate including the appendix contains 11 pages.




Ing. Viliam Mazúr
zástupca notifikovanej osoby
representative of notified body

Poznámka: Tento certifikát EÚ skúšky typu môže byť rozmnožovaný len celý a nezmenený. Bez podpisu a odtlačku pečiatky je neplatný.
Note: This EU-type examination certificate shall not be reproduced except in full. Certificates without signature and stamp are not valid.

Place of production:

1. Apator PoWoGaz S.A.

ul. Klemensa Janickiego 23/25, 60 – 542 Poznań, Poland

2. Apator PoWoGaz S.A.

ul. Jaryszki 1c, 62-023 Żerniki, Poland

1 Instructions and standards used within assessment

1.1 Generally binding instructions

Meter type was examined in terms of request for given type provisions Government Ordinance of the Slovak Republic No. 145/2016 Coll. relating to the making available on the market of measuring instruments as amended by Government Ordinance of the Slovak Republic No. 328/2019 Coll., which implemented the Directive 2014/32/EU of the European Parliament and of the Council of 26 February 2014 on the harmonisation of the laws of the Member States relating to the making available on the market of measuring instruments as later amended (next Government Ordinance).

Requirements are set out in Annex No. 1 and Annex No. 3 Water Meters (MI-001) to Government Ordinance of SR No. 145/2016 Coll. as amended by Government Ordinance of the Slovak Republic No. 328/2019 Coll..

1.2 Technical specification used:

OIML R 49-1:2013	Water meters intended for the metering of cold potable water and hot water. Part 1: Metrological and technical requirements
OIML R 49-2:2013	Water meters intended for the metering of cold potable water and hot water. Part 2: Test methods
OIML R 49-3:2013	Water meters intended for the metering of cold potable water and hot water. Part 3: Test report format
EN ISO 4064-1: 2017	Water meters for cold potable water and hot water. Part 1: Metrological and technical requirements
EN ISO 4064-2: 2017	Water meters for cold potable water and hot water. Part 2: Test methods
EN ISO 4064-3: 2014	Water meters for cold potable water and hot water. Part 3: Test report format
EN ISO 4064-5: 2017	Water meters for cold potable water and hot water. Part 5: Installation requirements

2 Type marking

Water meter: **JS90**

Meter is made in following subgroups:

Type of meter	Temperature class	Class	Nominal Diameter
JS90	T90	M1 ¹⁾ , B ²⁾	DN15, DN20

¹ according to Government Ordinance of the Slovak Republic, Annex No. 1

² according to EN ISO 4064-1:2017 and OIML R 49-2:2013



3 Description of measuring instrument

Meter name: Vane-wheel single-jet water meter

Type marking: JS90

Description of operating principle instrument design:

Vane-wheel single-jet water meters JS90 with permanent flow rates of 1,6 m³/h, 2,5 m³/h and 4 m³/h have been designed to measure actual volume of clean cold potable water and hot water flowing in a completely filled up closed pipeline. The water meter for cold and hot water is composed of a body, of the measuring mechanism and the counter. Water flowing through a meter sets the vane-wheel in a rotary motion that is transferred by a magnetic clutch to the counting mechanism.

Vane-wheel single-jet water meters JS90 are composed of two basic assemblies:

1. measuring unit
2. counting mechanism

The body of the water meter is a brass casting (meters could be with composite body) equipped with screwed pipe connectors to enable mounting on a pipeline with the help of fittings and nuts.

Water meters are equipped with units that improve their resistance to external magnetic field. These meters may be additionally marked “SN+”

The counting mechanism has been set so that it can be easily adjusted by rotation to facilitate readout.

Water meters have been equipped with screwed pipe connectors to enable mounting on a pipeline with the help of fittings and nuts.

Water meters have been fitted for mounting on pipelines in horizontal and vertical positions. Accidental occurrence of a reverse flow does not affect metrological characteristics provided for a normal flow.



Picture No.1 Vane-wheel single-jet water meter JS90



3.1 Description of subgroups

Marking: **JS90**

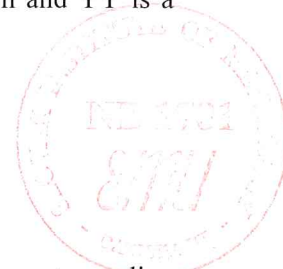
Sizes: DN15, DN20

Due to the designing solutions adopted and application range assumed for water meters JS90 with permanent flow rates of 1,6 m³/h, 2,5 m³/h and 4 m³/h there were introduced diverse varieties of meters marked with JS90-X-YY or JS90-X-NKYY or JS90-X-NKPYY,

Where: X is the value of permanent flow rate: 1,6 m³/h, 2,5 m³/h and 4 m³/h and YY is a version of the basic design with or without the pulse transmitter.

For example:

- JS90 2,5 – version with a 5-roller counter,
- JS90 2,5-01 – version with a plastic body,
- JS90 2,5-02 – version with an 8-roller counter,
- JS90 2,5-03 – version with an 8-roller counter and plastic body,
- JS90 2,5-04 – version with a counter adapted for fitting a radio or remote reading transmission device which was not part of this certification,
- JS90 2,5-NK – version with a reed contact pulse transmitter,
- JS90 2,5-NKP – version with an output for a reed contact pulse transmitter,
- JS90 2,5-NK-01 – version with a reed contact pulse transmitter and a plastic body,
- JS90 2,5-NKP-01- version adapted to fit a reed contact pulse transmitter and with a plastic body.



3.2 Measuring insert

The main elements of the measuring unit are the following:

- a body with a strainer set in the inlet channel and a basic axle pressed into the body bottom without any additional swelling plate in the body bottom or with an swelling plate fixed to the body bottom,
- a vane-wheel,
- a packing plate.

The vane-wheel is borne on a basic axle and in a bearing sleeve mounted on the packing plate. There is a magnet of a magnetic clutch on the vane-wheel. The packing plate is fitted with an adjusting ribs angled to water flow, which allows meter adjustment.

3.3 Indicating device

The capacity of the counter is 99 999 m³ and resolution of the reading is 0,05 dm³.

The counting mechanism includes a rear clutch, gears and a register. The register may consist of four pointers and five drum roller or one pointer and eight-drum roller. A transparent casing facilitates readout of meter indications. A special pin in the counter has been provided to prevent undesirable casing deflection thereby indicating unauthorised manipulation. On the central axle of the counting mechanism on which the magnet of the magnetic clutch has been fixed there is a small unit disk that performs a function of a vane-wheel rotation indicator. The unit disk is also used in the process of electronic testing of meters.

The counter design does not allow for resetting of meter indications.

Counter pointers rotate clockwise. Indicated digital values increase as the drums with digits marked on them move upwards. An indication increase by one digit is complete when a digit in a lower decade changes from 9 to 0. In a decade of the lowest values digital indications

change continuously. Black digits marked on digital drums indicate cubic meters or their multiples whereas red digits or pointers indicate submultiples of cubic meters.

The pointers move round scales marked with proper multipliers and placed on an indicating dial.

The water meter in the version with a reed contact pulse transmitter – NK and NKP varieties – in the counting mechanism, on one of the pointers a magnet is fixed to short-circuit reed relay contacts and the counter casing is equipped with a socket to connect the transmitter assembly. The counter casing with the transmitter is protected with a magnetic shield.

The water meter in the version adapted for fitting of the radio or remote meter reading devices on one of the pointers a magnet has been fixed or reflective pointers to short-circuit reed relay contacts and the counter casing has been suited to fit a radio device for wireless reading or a remote meter reading device.

Connection between the measuring unit and counter gear is provided by both a guarding and a fixing ring or by a fixing ring alone. The guarding ring may be equipped with a cover. On endings of the fixing rings seal holes is provided.

3.4 Principle of operation

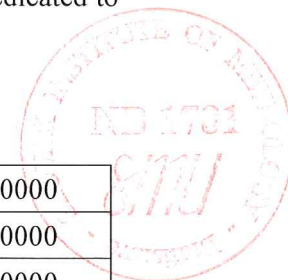
The water meter operates on the principle of a water speed sensor by impeller wheel. The operating speed of the wheel is proportionated to the speed of overflowing water. The operating speed is proportionated to water delivered quantity. The water meter is dedicated to measure the flow and the delivered cold water quantity.

3.5 Technical documentation

A number of drawings of technical documentation's are listed in the following list:

0000-003547	9007-490000/001	9479-000000	9711-010100	9697-000000
0000-003674	9007-550813	9527-010200	9715-000000	9698-000000
0000-004247	9007-600700	9527-011300	9716-000000	9699-000000
0000-004480	9007-880000	9529-060000	9766-000000	9736-000000
9004-270000	9007-880700	9529-011000	JS(M) Materials	9737-000000
9004-280000	9007-920000	9551-040000	JS(M) Sealing	9738-000000
9004-510700	9007-920700	9560-000000	9527-010000	9001-250000/501
9004-920000	9007-920703	9561-000000	9527-010102	9001-270000/501
9007-020000	9007-920710	9562-000000	9527-010700	9001-280000/501
9007-020700	9007-920811	9563-000000	9527-170000	9004-020000/501
9007-060000	9007-980700	9564-000000	9660-000000	9007-922727
9007-060700	9007-990000/001	9586-000000	9661-000000	9004-600000/501
9007-260000/001	9443-000000	9588-000000	9662-000000	9004-790000/501
9007-270000/001	9450-010400	9589-000000	9663-000000	9739-000000
9007-380000	9475-000000	9710-010000	9619-000000	
9007-380700	9477-000000	9710-010100	9623-000000	
9007-480000/001	9478-000000	9711-010000	9696-000000	

All drawings, schemes and technical documentation's used during the conformity assessment are saved in document No. NO-061/08, No. NO-088/09, NO-400/18, NO-499/21, NO-532/22/1 and NO-542/22/1.



4 Basic technical characteristics

Type marking		JS90	
Nominal diameter DN	mm	15	20
Indicating range	m ³	10 ⁵	
Resolution of the reading	m ³	0,00005	
Water pressure class	-	MAP16	
Working pressure range	bar	from 0,3 to 16	
Pressure loss class	-	Δp 63	
Temperature class	-	T90	
Flow profile sensitivity classes	-	U0, D0	
Position	-	Horizontal with indicating device positioned on top, H↑ Horizontal with indicating device positioned on side, H→ Horizontal with indicating device in any position, H Vertical from bottom to top and from top to bottom V	
Climatic and mechanical environments	-	closed spaces /from 5°C to 55°C/mech. class M1	
Impulse number NK, NKP, YY	dm ³ /imp	0,25; 1; 2,5; 10; 25; 100; 250; 1000	

4.1 Additional technical characteristics

Weight	from 0,35 kg to 0,55 kg
Meters equipped with units that improve their resistance to external magnetic field	Additional „SN+“ mark

5 Basic metrological characteristics

The maximum permissible error (accuracy class):

$$\pm 5 \% (Q_1 \leq Q < Q_2)$$

$$\pm 2 \% (Q_2 \leq Q \leq Q_4) \text{ for water temperature (from 0,1 to 30) } ^\circ\text{C}$$

$$\pm 3 \% (Q_2 \leq Q \leq Q_4) \text{ for water temperature greater than 30 } ^\circ\text{C}$$

Temperature class	T	-	90			
Diameter	DN	mm	15	20		
Minimum flow rate	Q_1	m ³ /h	According to table of flowrates			
Transitional flow rate	Q_2	m ³ /h				
Permanent flow rate	Q_3	m ³ /h	1,6	2,5	2,5	4
Overload flow rate	Q_4	m ³ /h	2	3,125	3,125	5
Measuring range R H↑	Q_3/Q_1	-	80; 100			
Measuring range R V, H→		-	40; 50			
Ratio	Q_2/Q_1	-	1,6			



Table of flowrates						
Temperature class	T	-	90			
Diameter	DN	mm	15		20	
Minimum flow rate	Q_1	m ³ /h	0,02	0,03125	0,03125	0,05
Transitional flow rate	Q_2	m ³ /h	0,032	0,05	0,05	0,08
Permanent flow rate	Q_3	m ³ /h	1,6	2,5	2,5	4
Overload flow rate	Q_4	m ³ /h	2	3,125	3,125	5
Measuring range R	Q_3/Q_1	-	80			
Ratio	Q_2/Q_1	-	1,6			

Table of flowrates						
Temperature class	T	-	90			
Diameter	DN	mm	15		20	
Minimum flow rate	Q_1	m ³ /h	0,04	0,0625	0,0625	0,1
Transitional flow rate	Q_2	m ³ /h	0,064	0,10	0,10	0,16
Permanent flow rate	Q_3	m ³ /h	1,6	2,5	2,5	4
Overload flow rate	Q_4	m ³ /h	2	3,125	3,125	5
Measuring range R	Q_3/Q_1	-	40			
Ratio	Q_2/Q_1	-	1,6			

Table of flowrates						
Temperature class	T	-	90			
Diameter	DN	mm	15		20	
Minimum flow rate	Q_1	m ³ /h	0,016	0,025	0,025	0,04
Transitional flow rate	Q_2	m ³ /h	0,0256	0,04	0,04	0,064
Permanent flow rate	Q_3	m ³ /h	1,6	2,5	2,5	4
Overload flow rate	Q_4	m ³ /h	2	3,125	3,125	5
Measuring range R	Q_3/Q_1	-	100			
Ratio	Q_2/Q_1	-	1,6			

Table of flowrates						
Temperature class	T	-	90			
Diameter	DN	mm	15		20	
Minimum flow rate	Q_1	m ³ /h	0,032	0,050	0,050	0,08
Transitional flow rate	Q_2	m ³ /h	0,0512	0,08	0,08	0,128
Permanent flow rate	Q_3	m ³ /h	1,6	2,5	2,5	4
Overload flow rate	Q_4	m ³ /h	2	3,125	3,125	5
Measuring range R	Q_3/Q_1	-	50			
Ratio	Q_2/Q_1	-	1,6			



6 Results of conformity assessment

The results of tests, assessments and evaluations given in the evaluation report No. NO-542/22/1/B/ER dated April 28, 2022 give sufficient evidence that the technical design of the measuring instrument – Vane-wheel single-jet water meter type JS90 is in compliance with the technical requirements of the Slovak Republic Governmental Ordinance No. 145/2016 Coll. relating to the making available on the market of measuring instruments as amended by Government Ordinance of the Slovak Republic No. 328/2019 Coll., Annex No. 1 and Annex No. 3 Water Meters and with the requirements determined in EN ISO 4064-1:2017, respectively OIML R49-1:2013, which are relevant for this type of meter.

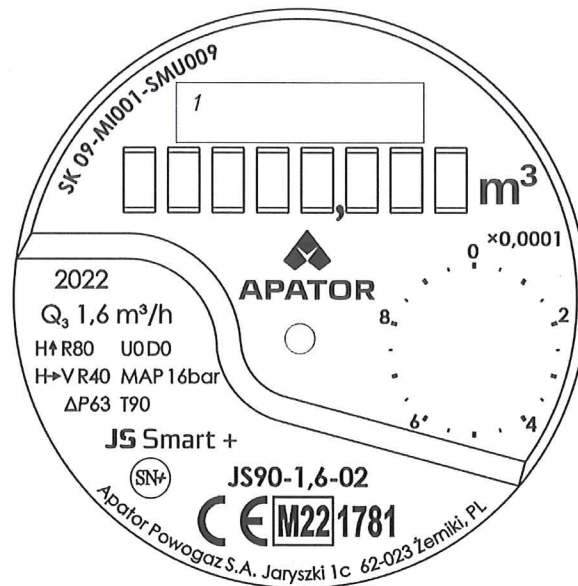
7 Data placed on the measuring instrument

On the shroud, the dial of the indicating device or on an identification plate of every water meter or in the product documentation minimum the following data should be marked:

- a) Manufacturer's name, registered trade name or registered mark
- b) Postal address of manufacturer
- c) Measuring instrument type
- d) Measuring unit (m^3)
- e) Numerical value of Q_3 in m^3/h (Q_3 x,x) and ratio Q_3/Q_1 (Rxxx)
- f) Year of production
- g) Production serial number
- h) Number of EU-type examination certificate and conformity mark
- i) The highest admissible pressure if it differs from 1 MPa (MAP xx)
- j) Flow direction
- k) Letter H↑ (Horizontal with indicating device position on the top) H→ (Horizontal with indicating device position at the side), V (Vertical from bottom to top and from top to bottom)
- l) Class of pressure loss if it differs from Δp_{63} (Δp XX)
- m) Flow profile sensitivity classes ($U_x D_x$)
- n) The temperature class where it differs from T30
- o) Environmental classification

The environmental classification may be given on a separate datasheet, unambiguously related to the meter by a unique identification, and not on the meter itself.





Picture No.2 Example of the dial marking

8 Conditions of conformity assessment of measuring instruments produced with type approval

Vane-wheel single-jet water meters put onto the market in line with the procedure of conformity assessment according to the Annex No.2 (Module D or F) of the Governmental ordinance should be in compliance with the technical description by the item 3 of this report and at test should be in compliance with the requirements determined in OIML R 49-1:2013 and EN ISO 4064-1:2017. Metrological test is performed by testing equipment which should be in compliance with the requirements determined in EN ISO 4064-2:2017 and water at temperature $20\text{ °C} \pm 5\text{ °C}$ and $50\text{ °C} \pm 5\text{ °C}$ in following points of flowrate:

- a) Minimum flowrate $Q_1 \leq Q \leq 1,1Q_1$
- b) Transitional flowrate $Q_2 \leq Q \leq 1,1Q_2$
- c) Permanent flowrate $0,9Q_3 \leq Q \leq Q_3$

A metrological test may only be performed by a producer, or a notified body respectively in line with the conformity assessment procedure according to the D or F Annexes of the Governmental ordinance respectively.

9 Measures asked for providing measuring instrument integrity

9.1 Identification

Vane-wheel single-jet water meter should be in compliance with the description provided on item 3 of this Annex and should be in compliance with the marking specified the item 7 of this Annex. The number given to the EU-type examination certificate is put at each piece of the measuring instrument.

Emplacement of the conformity mark is followed by § 15 of the Governmental ordinance.

9.2 Sealing of the measuring instrument

Vane-wheel single-jet water meter shall be before the conformity assessment according to the Annex No.2 (Module D or F) of the Governmental ordinance sealed by following sealing mark:

Connection of counter shelter and water meter body shall be sealed by seal used for security measures (plastic or leaden seal) (Picture No. 3)

Place for emplacement of seal used for security measures (plastic or leaden seal)

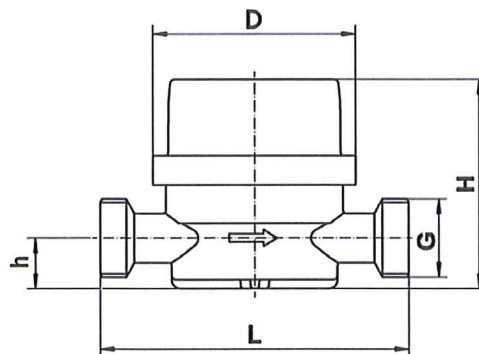


Picture No.3 Emplacement of the seal used for security measures

10 Requirements for installation, especially conditions of using

10.1 Installation data

Diameter	DN15	DN20	DN 15 Composite
G	G3/4, G7/8	G 1	G3/4, G7/8
Construction length [mm] - L	80/110/115	115/130	110/115
Counter diameter [mm] - D	72	72	72
Weight [kg]	0,35-0,45	0,55	0,25
Height [mm] - H	68,5(Smart); 75	68,5(Smart); 75	68,5(Smart); 75
Distance axle from edge [mm] - h	17	17	17



Picture No.4 Installation dimensions

10.2 Installation requirements

A vane-wheel single-jet water meter is introduced into the operation by a worker having a certificate for this activity performance. The vane-wheel single-jet meter is possible to be put into use after a construction in line with this report and in line with the producer instruction by “Instruction of installation and conditions of use of water meters”. A measuring instrument should be installed in direction of water flow arrow marked on the meter body.

The indicating device can be oriented in the position indicating in the dial

- H↑ Mean flow horizontal and the indicating device position on the top
- H→ Mean flow horizontal and the indicating device position on the side
- H Mean flow horizontal and the indicating device in any position
- V Mean flow vertical from bottom to top or from top to bottom

10.3 Conditions of use

The measuring instrument should be used within the recommendations of a producer or manufacturer: “Instruction of installation and conditions of use of water meters”.

Assessment done by: Ing. Viliam Mazúr

