

THERMOMETER WITH SWITCHING CONTACTS DKR 250

DESCRIPTION

The thermometer is one unit. It consists of head and stem. Stem axis is perpendicular to dial. Control knob for setting of required temperature using the adjustable pointer is mounted in front glass.

Thermometer connection is made on terminal board located at the back of thermometer. The current load as shown on label must not be exceeded. Therefore connection via auxiliary relay is used. Thermometer can be installed in both vertical and horizontal position. In some cases, especially at pressure bigger than 0,3 MPa for special 0,6 MPa. Wells are tested for pressure 0,9 MPa according to ČSN 130010. Thermometer wells are always 5 mm longer than thermometer stem. Well thread is M 20x1,5 and the spanner size $s = 24$ mm.

The whole measuring system must be placed in measured environment to ensure accurate measurement. Recommended installation depth P is at least 60 mm, or 80 mm for range 0-350°C.

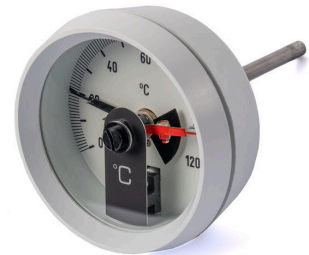
Thermometer DKR 250, maximum version

Adjustable pointer of maximum temperature is located to the right from contact pointer. When temperature raises, contact pointer moves closer to adjustable pointer. When switching temperature is reached, contacts are connected.

Thermometer DKR 250, minimal version

Adjustable pointer of minimal temperature is located to the left from contact pointer. When temperature lowers, contact pointer moves closer to adjustable pointer. When switching temperature is reached, contacts are connected.

Thermometer DKR 250 must not be used as safety element.



ADVANTAGES

- Easy installation
- Load is connected directly to electrical network
- Easy setting of required temperature
- Easy and quick temperature reading

TECHNICAL DATA

| | |
|--------------------------------------|------------------------------------------------------|
| Version | Maximum, minimal |
| Maximum permissible deviation | ±2,5% from scale range |
| Rated working voltage | 250 V |
| Minimal working voltage | 24 V |
| Rated frequency | 50 Hz |
| Rated working current | 50 mA~ |
| Weight | approx. 440 g |
| Protection | IP 20 |
| Connection | Flat cord H03VH-H 2x0,5 ČSN 34 7410-S is recommended |
| Usage category | Ohmic load, auxiliary relay |
| Lifetime | 10 000 working cycles |

| Measuring range | Scale range | Scale division | Stem length ... L [mm] ø d = 8 mm - stainless steel (AKVS) | | | |
|-----------------|---------------|----------------|------------------------------------------------------------|-----|-----|-----|
| | | | 100 | 160 | 250 | 400 |
| -20 to +40°C | -30 to +150°C | 1°C | X | X | X | X |
| +20 to +100°C | 0 to +120°C | 1°C | X | X | X | X |
| +20 to +180°C | 0 to +200°C | 2°C | X | X | X | X |
| +50 to 300°C | 0 to +350°C | 2°C | X | X | X | X |

If thermometer with range 0-450°C or with stem length 630 or 1000 mm (steel class 11, ød = 12 mm) is required, please contact us.

ORDERING

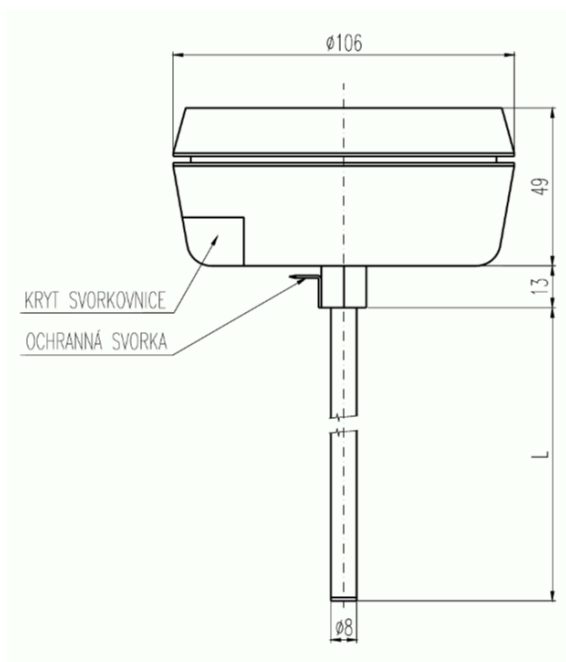
The order must include:

- Device type
- Version: maximum, minimal
- Quantity
- Scale range
- Stem length

Accessory:

- Thermometer well
- Adjustable thread socket

TECHNICAL DRAWINGS



CONTACTS

APATOR METRA s.r.o.

Havlíčková 919/24

787 01 Šumperk

Czech Republic

Tel.: +420 583 718 261

E-mail: prodej@metra-su.cz

Web: www.metra-su.cz

Your distributor:

The manufacturer reserves the right to change design, technical specifications and accessories without prior notice.

K2024/04a