

THERMOSTATS SERIES TH 140

DESCRIPTION

Temperature-sensitive element is formed by thermostat stem. Stem is made from brass tube (TH 140 and TH 143) or stainless steel tube (TH 141 and TH 144). Temperature-depending dilatation of the tube is transferred by invar rod via leverage to switch mechanism located in thermostat head. Regulation knob of temperature setting is also closed in head and can be adjusted (to avoid change of set temperature e.g. Due to vibrations). Thermostat TH 140 ZP 16 is set firmly in manufacturer according to customer requirements.

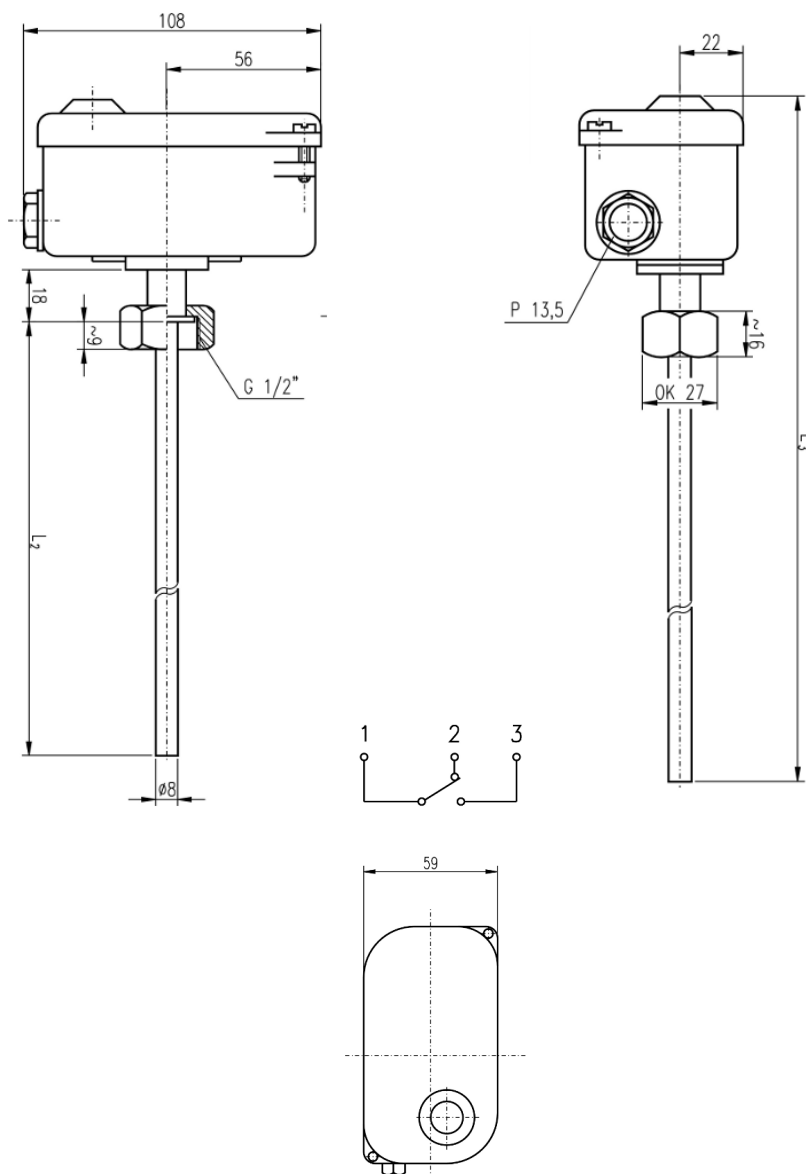


Thermostat is intalled in measured environment by nut on the stem. Avoid nechanical stress of stem during installation, free dekatation of the stem must not be blocked. Use termostat well when installing thermostat in liquid environment. Thermostats can be installed in any position. Thermostats TH 140 and TH 141 are designed for DC load switch contacts are bridged by quenching capacitors. Thermostats TH 143 and TH 144 are designed for AC load. Thermostats are very sensitive and robust.

TECHNICAL DATA

	TH 140	TH 140 ZP 16	TH 141	TH 143	TH 144
Regulation range	100÷140°C	20÷140°C	100÷200°C	20÷140°C	100÷200°C
Switchint difference	1÷4K	4÷12K	1÷6K	1÷4K	1÷6K
Setting accuracy	± 10%	± 10%	± 10%	± 10%	± 10%
Stem length L2 [mm]	350	124	303	350	303
Thermostat length L3 [mm]	440	214	393	440	393
Rated voltage, rated current	60V, 1 A DC 120 V; 0,5 A DC	250 V, 15 A AC	60 V, 1 A DC 120 V, 0,5 A DC	240 V, 15 A AC	250 V, 15 A AC
Weight	0,75 kg	0,70 kg	0,75 kg	0,75 kg	0,75 kg
Protection	IP 44				
Resistance against external influences	Head resistant to influences of class AB7, AE3, AM1m BE1				
Lifetime	100 000 cycles				

TECHNICAL DRAWINGS



CONTACTS

APATOR METRA s.r.o.

Havlíčková 919/24
787 01 Šumperk
Czech Republic

Tel.: +420 583 718 261
E-mail: prodej@metra-su.cz
Web: www.metra-su.cz

Your distributor:

The manufacturer reserves the right to change design, technical specifications and accessories without prior notice.

K2024/03a