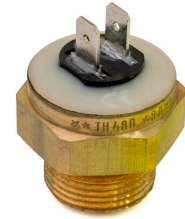


THERMOSTAT TH 480

DESCRIPTION

Thermostat TH 480 is made as one unit. Sensor and the electrical switch system are assembled, adjusted and enclosed in the brass thermostat body. To install it in specified hole, use thread M22x1.5 and hexagon OK27 on the thermostat body.

Connecting terminals are flat pins 6.3x0.8 mm that are electrically insulated from the thermostat body. Thermostat head with flat pins is connected permanently with thermostat body. Thermostat is supplied with sealing ring diameter 22x27.



INSTALLATION

Fix the thermostat in specified hole using spanner No. 29 with torque maximally 50 Nm. Screwing and unscrewing must not be done using flat pins on thermostat head. Spare parts are not supplied.

TECHNICAL DATA

Thermostat can be supplied either in switch-on design (Z) or switch-off design (R)

Range of rated temperature	from 35°C to 115°C
Rated contact load with ohmic load	230 V, max. 4 A AC (lifetime 10 000 cycles)
	230 V, 1 A AC (lifetime 50 000 cycles)
Rated contact load with inductive load	($\cos\phi = 0,65$) 230 V, 1 A AC (lifetime 10 000 cycles)
Contact resistance	max. 100 mΩ
Connecting terminals	6,3x0,8 mm

Settings accuracy of rated temperature	Switching difference	
	4-18K	4-12K
± 3K	A	B
± 2K	C	D

Codename example

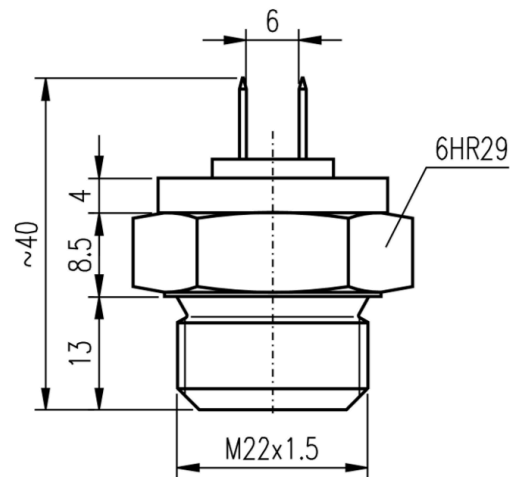
TH 480	Z	67	C
Type	Switch-on design	Rated temperature 67°C	Setting accuracy ±2K, switch. diff. 4-18 K

ORDERING

Please specify following items in order:

- Type
- Thermostat design (Z or R)
- Rated temperature [°C]
- Codename
- Quantity

TECHNICAL DRAWINGS



CONTACTS

APATOR METRA s.r.o.

Havlíčková 919/24

787 01 Šumperk

Czech Republic

Tel.: +420 583 718 261

E-mail: prodej@metra-su.cz

Web: www.metra-su.cz

Your distributor:

The manufacturer reserves the right to change design, technical specifications and accessories without prior notice.

K2024/03a