

THERMOMETER DIT 41

DESCRIPTION

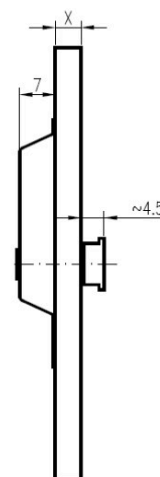
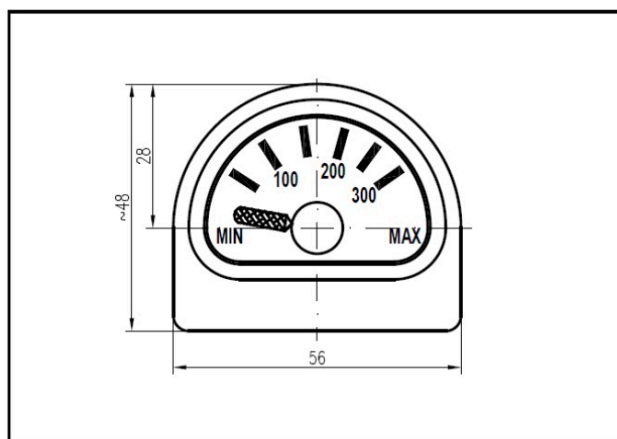
DIT 41 is a thermometer designed to measure temperature inside a single-glass oven. Installation of thermometer in the oven door is possible only upon further consultation with a manufacturer (adjustment of the scale required). Thermometer is mounted on the inner side of glass by a nut with a washer. Thermometer body is made of stainless steel, firmly connected to the scale, pin and substances are present. The measured value must not exceed the maximum scale range. Thermometer can be supplied separately or embedded in a hardened or refractory glass according to a customer preferences. Custom laser text and logo can be added in the bottom part of the thermometer.



TECHNICAL DATA

Measuring range	+50 to +300°C
Resolution of the scale	50°C
Accuracy	±5% from the measuring range
Weight	Approx. 13 g

TECHNICAL DRAWINGS



CONTACTS

APATOR METRA s.r.o.

Havlíčková 919/24
 787 01 Šumperk
 Czech Republic

Tel.: +420 583 718 261
 E-mail: prodej@metra-su.cz
 Web: www.metra-su.cz

Your distributor:

The manufacturer reserves the right to change design, technical specifications and accessories without prior notice.

K2024/04a