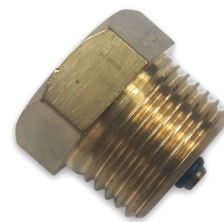


# Clack valve ZV 4

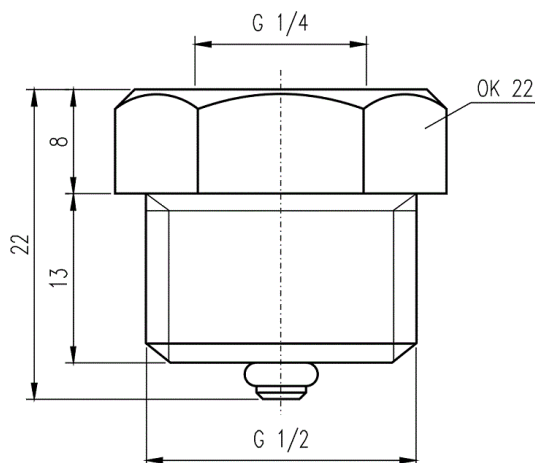


Clack valve (ZV) is pressure-controlled element closing the flow of operating fluid. ZV is intended for complete closing or opening of flow; it is not intended for flow regulation. ZV is used as accessory for manometer MCS 48 or manotherm MTCC 60.

## Description

Check valve consists of a brass body (that can be screwed using outer thread to pressure system), button with sealing "O" ring and return spring. Thermometer head can be installed in environment with maximal temperature 100 °C. Measured liquid must not damage copper and its alloys. Maximum pressure in system can not exceed 400 kPa.

## Technical drawings



## Contacts

### APATOR METRA s. r. o.

Havlíčková 919/24  
787 01 Šumperk  
Czech Republic

Tel.: +420 583 718 261  
Fax.: +420 583 718 150  
E-mail: [prodej@metra-su.cz](mailto:prodej@metra-su.cz)  
WWW: [www.metra-su.cz](http://www.metra-su.cz)

Your distributor: