

# THERMOMETER DIT 40.2

## DESCRIPTION

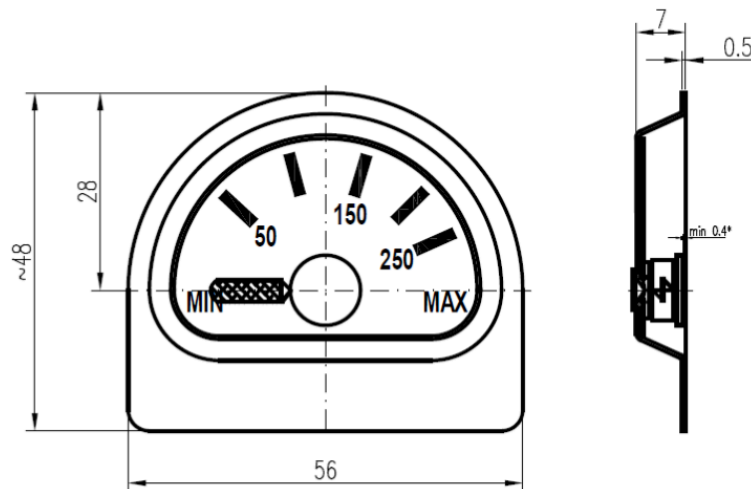
DIT 40.2 is a thermometer design to measure temperature inside a double-glass oven. Thermometer is installed on the bottom frame of the oven door. Thermometer body is made of stainless steel, firmly connected to the scale, pin and bimetallic measuring system. Thermometer can only be placed in an environment where no invasive substances are present. The measured value must not exceed the maximum scale range.



## TECHNICAL DATA

Measuring range	+50 and up to +250°C
Resolution of the scale	50°C
Accuracy	±5% from the measuring scale
Weight	Approx. 12 g

## TECHNICAL DRAWINGS



## CONTACTS

### APATOR METRA s.r.o.

Havlíčková 919/24  
 787 01 Šumperk  
 Czech Republic

Tel.: +420 583 718 261  
 E-mail: prodej@metra-su.cz  
 Web: www.metra-su.cz

Your distributor:

The manufacturer reserves the right to change design, technical specifications and accessories without prior notice.

K2024/O4a