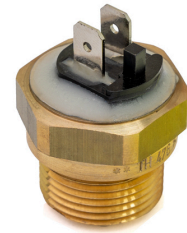


# THERMAL CUTOUT TH 476

## DESCRIPTION

Thermal cutout TH 476 is made as one unit. Sensor and the electrical switch system are assembled, adjusted and enclosed in the brass body. To install it in specified hole, use thread M22x1.5, and hexagon OK 27 on the cutout body.

Connecting terminals are flat pins 6.3 mm that are electrically insulated from the cutout body. There is a reset pin located beside connecting terminals. Cutout head with flat pins is connected permanently with cutout body.



## INSTALLATION

Fix TH 476 in specified hole using spanner No. 27. Screwing and unscrewing must not be done using flat pins on thermostat head

## ADVANTAGES

- Any working position
- Possibility of manual reset

## TECHNICAL DATA

Thermal cutout TH 476 is made in switch-off design (R). Cutout can be reset manually when temperature falls 15°C or more below rated temperature. To protect the device against frost, cutout is switched on automatically when temperature falls below 10°C.

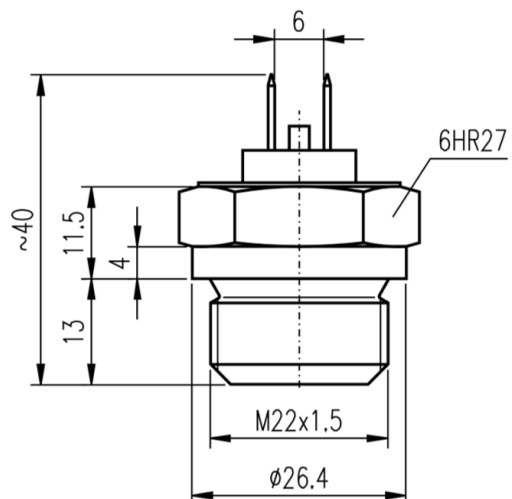
<b>Range of rated temperature</b>	from 35°C to 97°C
<b>Setting accuracy of rated temperature</b>	±2°C (A), ±4°C (B)
<b>Rated voltage, rated current</b>	24 V, 6 A DC
<b>Lifetime</b>	300 cycles
<b>Resistance against vibrations</b>	5 g
<b>Weight</b>	approx. 70g

## ORDERING

Please specify following items in order:

- Type
- Rated temperature [°C]
- Setting accuracy of rated temperature
- Quantity

## TECHNICAL DRAWING



## CONTACTS

### APATOR METRA s.r.o.

Havlíčková 919/24  
787 01 Šumperk  
Czech Republic

Tel.: +420 583 718 261  
E-mail: [prodej@metra-su.cz](mailto:prodej@metra-su.cz)  
Web: [www.metra-su.cz](http://www.metra-su.cz)

Your distributor:

The manufacturer reserves the right to change design, technical specifications and accessories without prior notice.

K2024/03a