

CAPILLARY THERMAL CUTOUT KNTP 8823.02

DESCRIPTION

KNTP is built-in double pole disconnecting thermal cutout based on the principle of liquid dilatation. It consists of two basic parts: switching unit and capillary temperature sensor. If the surrounding temperature of sensor reaches the set disconnection temperature, the electrical circuit is double pole disconnected. The circuit can be reconnected only manually by pressing the reset button after temperature sensor is cooled down. It is not allowed to turn on KNTP under electric load. Only knowledgeable person can reset KNTP 8823.02. KNTP is installed with two M4 screws. There is a protective earth pin on the cover.



ADVANTAGES

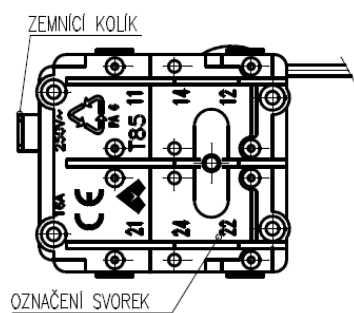
- Variable location of temperature sensor in relation to position of switching unit
- Switching unit can be installed in any position
- Capillary can be bent according to installation need
- No consumption of electrical power
- Low operating and servicing costs
- Optimal combination of thermostat RT 8803.02 and thermal cutout KNTP according to customer's requirements can be made
- Distance of disconnected contacts > 3 mm

TECHNICAL DATA

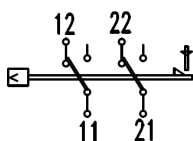
Range of set disconnection temperature T_{disc}	35-99°C
Difference of disconnection temperature	-2°C
Rated current	16 A
Rated voltage	250 V
Max. temperature (switching unit)	85°C
Max. temperature (sensor)	110°C
Temperature for manual reconnection	$T_{disc} + 15^\circ\text{C}$
Weight	100 g
Protection	IP 00
Protection class	I
Max. number of automatic disconnections and manual reconnections	300 cycles
Capillary length	500 mm
Min. radius of capillary bend	$R_{min} = 5 \text{ mm}$
Connecting terminals	Flat pins 6,3x0,8 mm according to ČSN EN 612 10

The disconnecting temperature is set by the manufacturer in agreement with the customer. The product has been awarded the ESC label of the Prague Electrotechnical Institute.

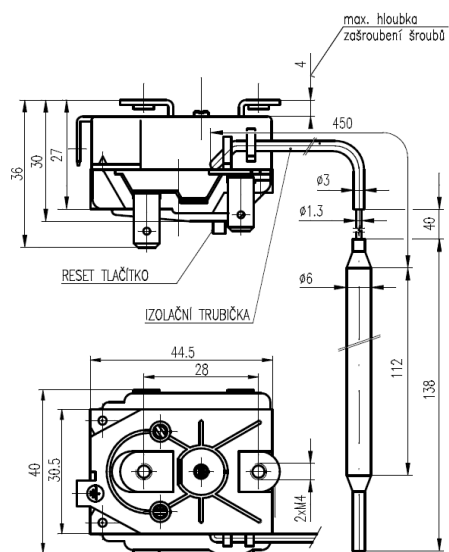
TECHNICAL DRAWINGS



Wiring diagram at sensor temperature
20°C



The terminal marking is made on the switch
body



CONTACTS

APATOR METRA s.r.o.

Havlíčková 919/24

787 01 Šumperk

Czech Republic

Tel.: +420 583 718 261

E-mail: prodej@metra-su.cz

Web: www.metra-su.cz

Your distributor:

The manufacturer reserves the right to change design, technical specifications and accessories without prior notice.

K2024/O3a