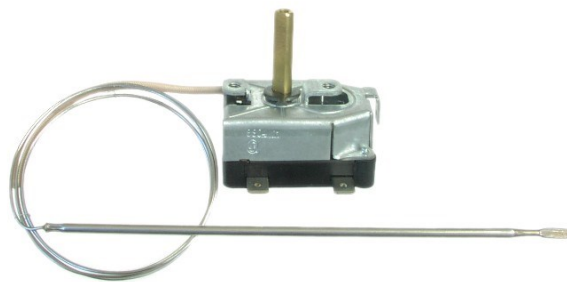


# RT 8804



## Description

Capillary thermostat RT is a single-pole temperature regulator based on the principle of liquid dilatation. It consists from two basic parts: switching unit and capillary temperature sensor. There is a protective earth pin on the cover. Regulated temperature can be user set in control range. Installation is made by two M4 screws. Product is VDE certified.

## Advantages

- variable location of temperature sensor in relation to position of switching unit
- switching unit can be installed in any position
- capillary can be bent according to installation need
- no consumption of electrical power
- low operating and servicing costs

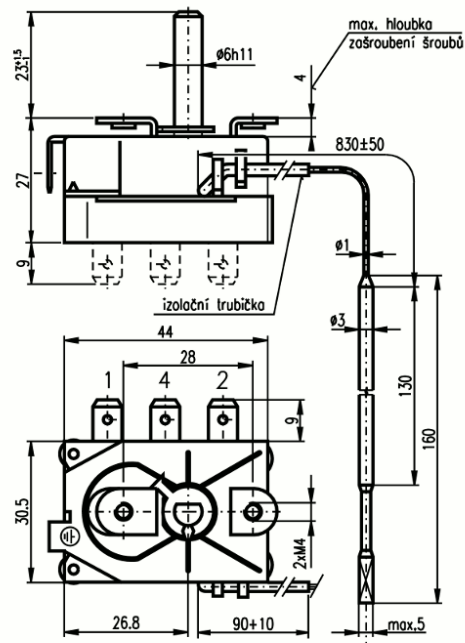
## Technical data

Control range	50 °C - 320 °C
Variation of maximal cutout temperature	± 10 °C
Switching difference	4-10 K
Rated current	16 (2,6) A
Rated voltage	240 V
Temperature range (switching unit)	0 °C - 150 °C
Max. temperature (sensor)	330 °C
Protection	IP 00, RT built-in thermostat
Protection class	I
Lifetime	100 000 working cycles
Capillary length	1000 mm
Min. radius of capillary bend	$R_{\min} = 5 \text{ mm}$
Connecting terminals	flat pins 6,3 x 0,8 in accordance with ČSN EN 61210

## Type designation

Type	Control range [°C]	Design (break./switch.)	No. of terminals	Design (straight/angular)	Earthing terminal
8804.01	50-320	breaking	2	straight	yes
8804.01U	50-320	breaking	2	angular	yes
8804.011	50-320	breaking	3	straight	yes
8804.011U	50-320	breaking	3	angular	yes

## Dimensional drawing



## Contacts

**APATOR METRA s.r.o.**  
 Havlíčkova 919/24  
 787 01 Šumperk  
 Czech Republic

Tel.: +420 583 718 267  
 Fax.: +420 583 718 150  
 E-mail: [prodej@metra-su.cz](mailto:prodej@metra-su.cz)  
 WWW: [www.metra-su.cz](http://www.metra-su.cz)

Your Distributor