

CAPILLARY THERMOSTAT KR XX.NN

DESCRIPTION

Capillary thermostat KR is single-pole temperature regulator based on the principle of liquid dilatation. It consists of two basic parts: switching unit and capillary temperature sensor. The switching unit ensure micro-disconnection of phase wire. Thermostat is manufactured as circuit-opening type with or without signalling terminal that can signalize micro-disconnection of electrical load. Thermostat is intended to single-phase appliances for household and similar applications the norm ČSN EN 60335-1 is valid for. Usage for another purposes must be consulted with manufacturer. The thermostat is not intended for disconnection of electrical appliance form electrical network.



ADVANTAGES

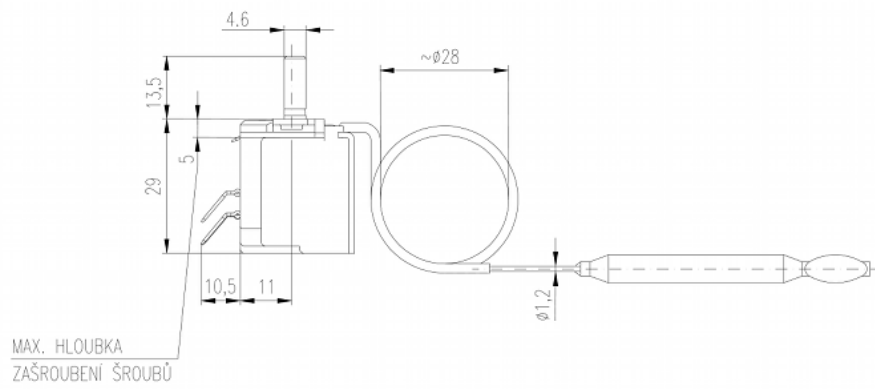
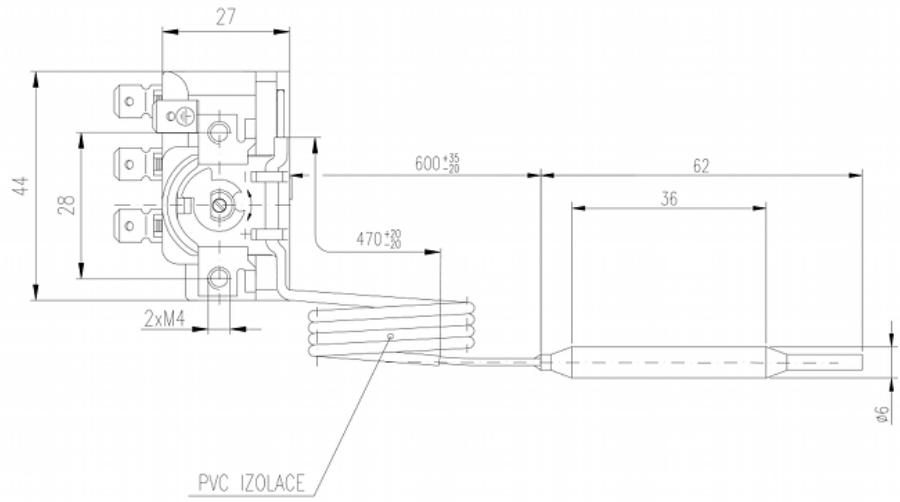
- Variable location of temperature sensor in relation to position of switching unit
- Switching unit can be installed in any position
- Capillary can be bent according ti installaton need

TECHNICAL DATA

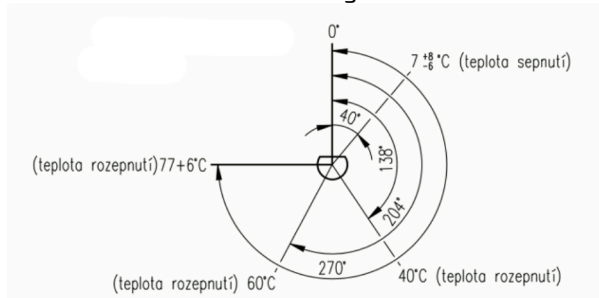
KR	X	X	NN	
	X			Operating range
			1	from 0÷45°C to 20÷90°C
			2	from 20÷45°C to 90÷99°C
		X	0	Without singalling teminal
			1	With signalling teminal
			NN	Labeling of special design according to negotiated technical conditions

	KR 10 (KR 11)	KR 20 (KR 21)
Control range	7÷77°C	35÷95°C
Variation of max. cutout temperature	±6°C	±4°C
Switching difference	2÷6K	2÷6K
Rated current	16/10 A	16/10 A
Rated current of signalling circuit	2 A	2 A
Minimal current	2 A	2 A
Type of load	0,95φ	0,95φ
Rated voltage	240/400 V ~	240/400 ~
Temperature range (switching unit)	0÷90°C	0÷90°C
Max. temperature (sensor)	90°C	110°C
Protection	IP 00	IP 00
Protection class	I	I
Lifetime	100 000 working cycles	100 000 working cycles
Automatic type operation	2 BL	2 BL
Capillary length	500, 1000 mm	500, 1000 mm
Min. radius of capillary bend	5 mm	5 mm
Connecting terminals	Flat pins 6,3 x 0,8 according to ČSN EN 61210	Flat pins 6,3 x 0,8 according to ČSN EN 61210

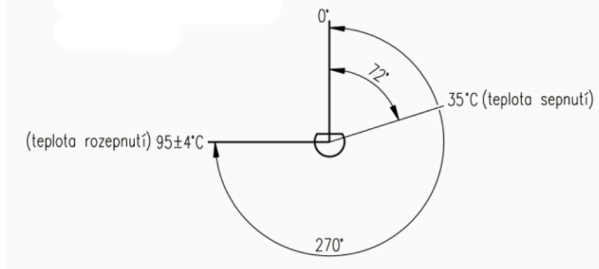
TECHNICAL DRAWINGS

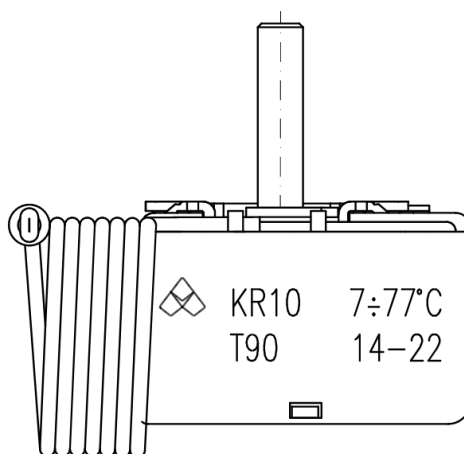
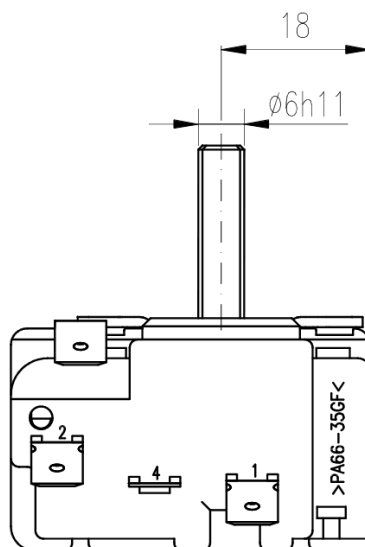


Control range KR 10



Control range KR 20





CONTACTS

APATOR POWOGAZ CZECHIA s.r.o.

Havlíčková 919/24

787 01 Šumperk

Czech Republic

Tel.: +420 583 718 261

E-mail: prodej@metra-su.cz

Web: www.apator.cz

Your distributor:

The manufacturer reserves the right to change design, technical specifications and accessories without prior notice.

K2025/10a