

# CAPILLARY THERMAL CUTOUT

## KNTP 881\*.\*\*

### DESCRIPTION

KNTP is built-in single pole disconnecting thermal cutout based on the principle of liquid dilatation. It consists from two basic parts: switching unit and capillary temperature sensor. If the surrounding temperature of sensor reaches the set disconnection temperature, the electrical circuit is disconnected. The circuit can be reconnected only manually by pressing the reset button after temperature sensor is cooled down. It is not allowed to turn on KNTP under electric load. Only knowledgeable person can reset KNTP\*.\*\*. There is a protective earth pin on the cover.



### ADVANTAGE

- Variable location of temperature sensor in relation to position of switching unit
- Switching unit can be installed in any position
- Capillary can be bent according to installation need
- No consumption of electrical power
- Low operating and servicing costs

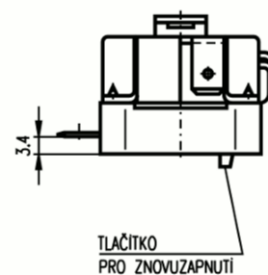
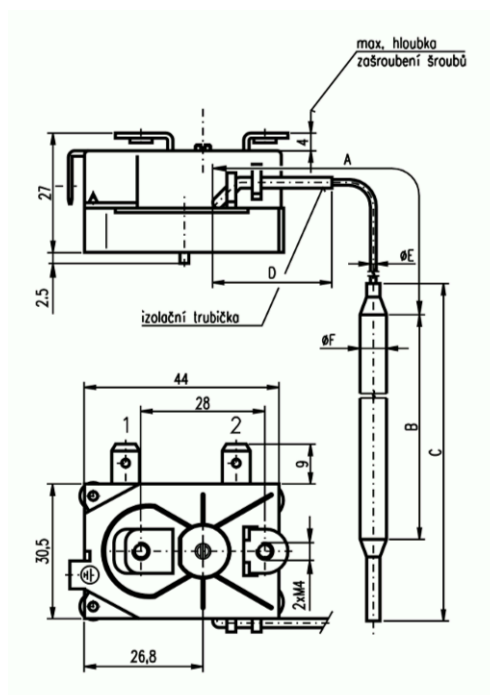
### TECHNICAL DATA

|   | KNTP 8812.02                                 | KNTP 8813.02                                 | KNTP 8814.02                                 |
|---|--|--|--|
| Range of set disconnection temperature $T_{disc}$               | 35-99°C                                      | 35-80°C                                      | 50-320°C                                     |
| Difference of disconnection temperature                         | -6°C   | -6°C   | -20°C  |
| Rated current   | 16 (2,6) A                                   | 16 (2,6) A                                   | 16 (2,6) A                                   |
| Rated voltage   | 240 V  | 240 V  | 240 V  |
| Temperature range (surrounding of switching unit)               | 0-150°C                                      | 0-150°C                                      | 0-150°C                                      |
| Max. Temperature (sensor)                                       | 110°C  | 90°C   | 330°C  |
| Temperature for manual reconnection                             | $T_{disc} - 10^\circ\text{C}$                | $T_{disc} - 10^\circ\text{C}$                | $T_{disc} - 15^\circ\text{C}$                |
| Capillary length  | 1000 mm                                      | 500 mm                                       | 900 mm                                       |
| Weight  | 80 g   | 75 g   | 70 g   |
| Protection  | IP 00, built-in thermostat                   | IP 00, built-in thermostat                   | IP 00, built-in thermostat                   |
| Protection class  | I  | I  | I  |
| Max number on automatic disconnections and manual reconnections | 300 cycles                                   | 300 cycles                                   | 300 cycles                                   |
| Min. radius of capillary bend                                   | $R_{min} = 5 \text{ mm}$                     | $R_{min} = 5 \text{ mm}$                     | $R_{min} = 5 \text{ mm}$                     |
| Connecting terminals  | Flat pins 6,3x0,8 according to CSN EN 612 10 | Flat pins 6,3x0,8 according to CSN EN 612 10 | Flat pins 6,3x0,8 according to CSN EN 612 10 |

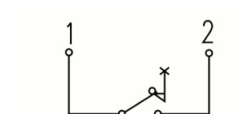
### OVERVIEW OF TYPE DESIGNATION

| Type    | A [mm] | B [mm] | C [mm] | D [mm] | E [mm] | F [mm] | Material of sensor | Ground pin |
|---------|--------|--------|--------|--------|--------|--------|--------------------|------------|
| 8812.02 | 930    | 114    | 140    | 890    | 1,3    | 6      | Cu                 | yes        |
| 8813.01 | 450    | 114    | 140    | 410    | 1,3    | 6      | Cu                 | yes        |
| 8814.02 | 830    | 130    | 160    | 160    | 1      | 3      | Stainless steel    | yes        |

## TECHNICAL DRAWINGS



Wiring diagram in open position



The terminal marking is made in  
the switch body

## CONTACTS

### APATOR METRA s.r.o.

Havlíčková 919/24

787 01 Šumperk

Czech Republic

Tel.: +420 583 718 261

E-mail: prodej@metra-su.cz

Web: www.metra-su.cz

Your distributor:

The manufacturer reserves the right to change design, technical specifications and accessories without prior notice.

K2024/03a