

# THERMOSTAT TH 472

## DESCRIPTION

Thermostat TH 472 is made as one unit. Sensor and the electrical switch system are assembled, adjusted and enclosed in the thermostat body. To install it specified hole, use thread M22x1.5 an thermostat body and hexagon head OK 27. Connecting terminals are flat pins 6.3 mm that are electrically insulated from the thermostat body. Thermostat head with flat pins is connected permanently with thermostat body.

Thermostat must be supplied with sealing ring diameter 22x27. Required temperature is adjusted by manufacturer according to specification in order, set temperature can not be changed by user.



## INSTALLATION

Fix the thermostat in specified hole using spanner No. 27 with torque maximally 45Nm. Screwing and unscrewing must not be done using flat pins on thermostat head. Spare parts are not supplied.

## ADVANTAGES

- Any working position
- Resistance against splashing water
- Resistance against vibrations up to 5 g

## TECHNICAL DATA

Thermostat can be supplied either in switch-on (Z) or switch-off design (R).

<b>Range of rated temperature</b>	from 30°C to 115°C
<b>Rated contacts load</b>	6-24 V, max. 6 A DC or AC
<b>Lifetime</b>	10 000 cycles
<b>Connecting terminals</b>	flat pins 6,3 according to ČSN EN 612 10

<b>Setting accuracy of rated temperature</b>	<b>Switching difference</b>	
	<b>4-18 K</b>	<b>4-12 K</b>
±3K	A	B
± 2K	C	D

Codename example

<b>TH 472</b>	<b>R</b>	<b>82</b>	<b>C</b>
Type	Switch-off design	Nominal temperature 82°C	Accuracy of settings ±2K, sp. dif. 4-18K

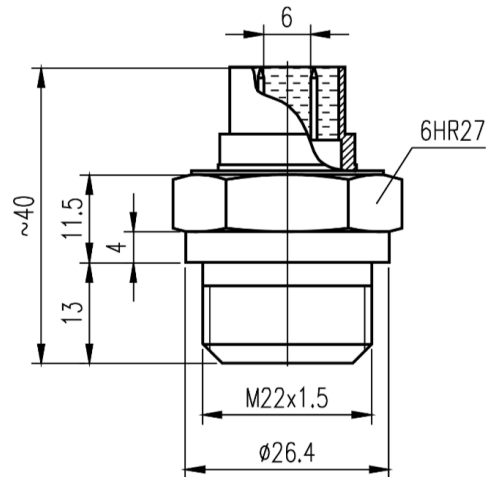
## ORDERING

Please specify following items in order:

- Type
- Thermosta design (Z or R)
- Rated temperature (°C)
- Codename
- Quantity
- Terminals cover

If corrosion protection of connecting terminals by cover filled plastic lubricant is required, specify it in order as Terminals cover.

## TECHNICAL DRAWINGS



## CONTACTS

### APATOR METRA s.r.o.

Havlíčková 919/24

787 01 Šumperk

Czech Republic

Tel.: +420 583 718 261

E-mail: [prodej@metra-su.cz](mailto:prodej@metra-su.cz)

Web: [www.metra-su.cz](http://www.metra-su.cz)

Your distributor: