

THERMOMETER FOR HEATING ENGINEERS TT 60

DESCRIPTION

Bimetallic thermometer TT 60 is intended for temperature measurement in hot water or steam distribution systems. The minimum temperature is 0°C. The thermometer must be installed in thermometer well.

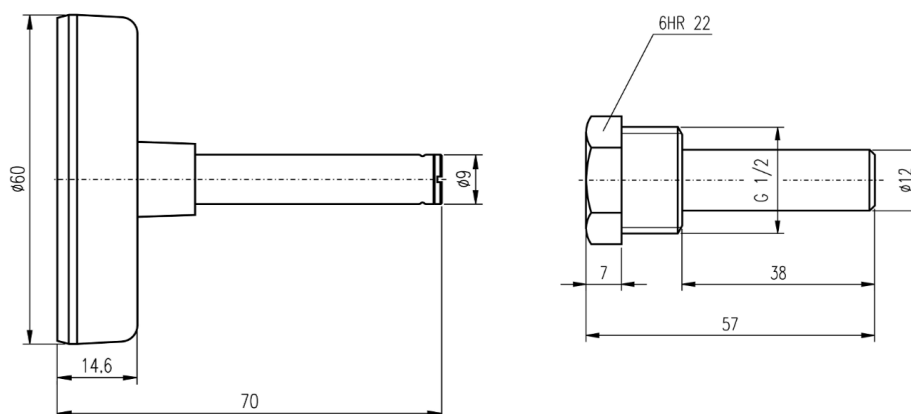
Thermometer consists of plastic head and brass stem. Brass thermometer well (see drawing for dimensions) and locking spring are part of delivery. Well complies with pressure 0,6 MPa.



TECHNICAL DATA

Scale range	Measurement range	Scale division
0 to 120°C	20 to 100°C	2°C
Head Ø D	Permissible deviation	Stem length L
60 mm	Accuracy class 2 according to DIN 16203	45 mm

TECHNICAL DRAWINGS



CONTACTS

APATOR METRA s.r.o.

Havlíčková 919/24
 787 01 Šumperk
 Czech Republic

Tel.: +420 583 718 261
 E-mail: prodej@metra-su.cz
 Web: www.metra-su.cz

Your distributor:

The manufacturer reserves the right to change design, technical specifications and accessories without prior notice.

K2024/04a