

PROBE THERMOMETER TRV

DESCRIPTION

Bimetallic technical thermometer TRV is suitable for temperature measurement mainly in agriculture (temperature of silage, compost, grain storage, straw stack, etc.). It can be used also for temperature measurement in coal dumps, malst houses etc. It has wide use.

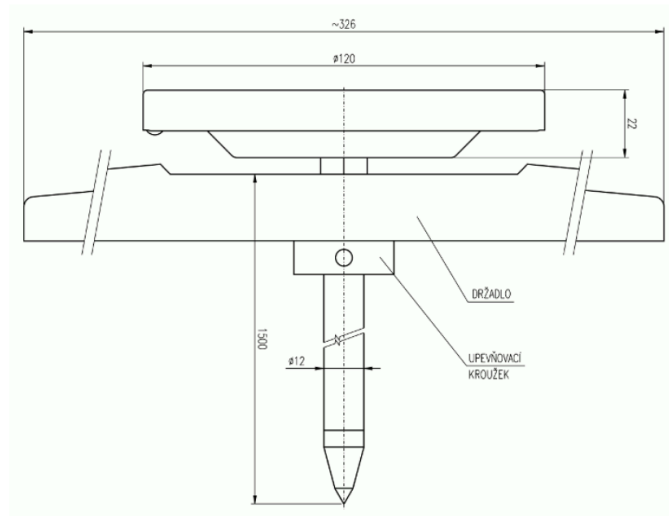
The thermometer consists of stainless steel head and stem made of galvanized steel tube. The end of the stem is terminated by spike of easier inserting into the measured medium and is provided with surface protection. Removable handle and fastening ring are parts of the thermometer.



TECHNICAL DATA

Scale range	Measuring range	Scale division	Accuracy	Weight	Dimensions
-30 to +50°C	-20 to +40°C	1°C	± 2% from range	1050 g	As drawn
0 to +200°C	+20 to +180°C	1°C	± 2% from range	1050 g	As drawn

TECHNICAL DRAWINGS



CONTACTS

APATOR METRA s.r.o.

Havlíčková 919/24
 787 01 Šumperk
 Czech Republic

Tel.: +420 583 718 261
 E-mail: prodej@metra-su.cz
 Web: www.metra-su.cz

Your distributor:

The manufacturer reserves the right to change design, technical specifications and accessories without prior notice.

K2024/O4a