

THERMOSTATS TH 260, TH 261

DESCRIPTION

Temperature-sensitive element is formed by heatproof stainless steel tube. Temperature-depending dilatation of the tube is transferred by invar rod to switch mechanism. Switch mechanism is closed in thermostat head. Regulation knob for temperature setting is also closed on head and can be adjusted (to avoid change of set temperature e.g. due to vibrations).

The thermostat can be mounted using two holes at its base plate. Avoid mechanical stress of stem during installation, free dilatation of the stem must not be blocked. Thermostat can be installed in any position. Thermostat is equipped with cable gland 13.5.

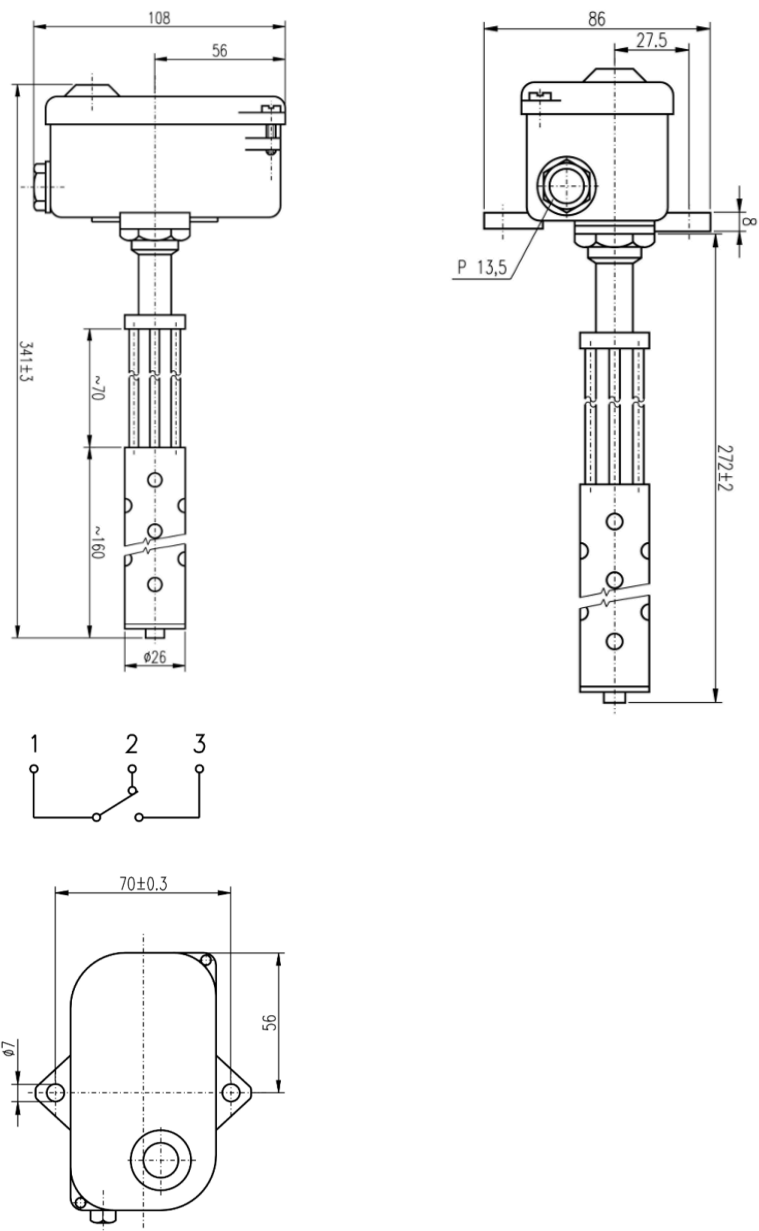
Invar rods between the active part of the stem and head prevent the overheating of thermostat head.



TECHNICAL DATA

Control range	200°C to 400°C
Switching difference	5-20K
Setting accuracy	±10% from the highest rated switching temperature
Stem length	160 mm +110 mm heat insulating section
Rated voltage, rated current	120V; 0,5 A DC (TH 260) 250V; 15 A AC (TH 261)
Max. Temperature of the switch head	120°C
Max. Temperature of the stem	500°C
Weight	approx. 0,85 kg
Protection	IP 44
Resistance to external influences	Head resistant to influences of calss AB7, AE3, AM1, AN1, BE1
Lifetime	10 000 cycles

TECHNICAL DRAWINGS



CONTACTS

APATOR METRA s.r.o.

Havlíčková 919/24

787 01 Šumperk

Czech Republics

Tel.: +420 583 718 261

E-mail: prodej@metra-su.cz

Web: www.metra-su.cz

Your distributor:

The manufacturer reserves the right to change design, technical specifications and accessories without prior notice.

K2024/03a