

CAPILLARY THERMOSTAT RT 8804

DESCRIPTION

Capillary thermostat RT is a single-pole temperature regulator based on the principle of liquid dilatation. It consists of two basic parts: switching unit and capillary temperature sensor. There is a protective earth pin in the cover. Regulated temperature can be set in control range by user. Installation is made by two screws.

Product is VDE certified.



ADVANTAGES

- Variable location of temperature sensor in relation to position of switching unit
- Switching unit can be installed in an position
- Capillary can be bent according to installation need
- No consumption of electrical power
- Low operating and servicing costs

TECHNICAL DATA

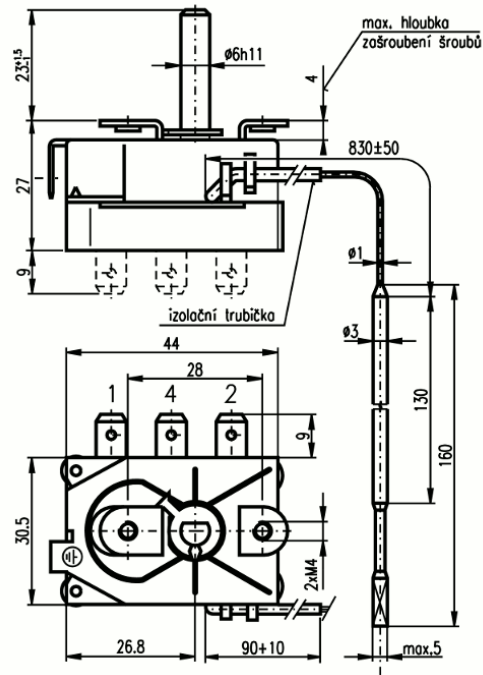
Control range	50°C to 320°C
Variation of maximal cutout temperature	±10°C
Switching difference	4-10K
Rated current	16 (2,6) A
Rated voltage	240 V
Temperature range (switching unit)	0°C to 150°C
Max. temperature (sensor)	330°C
Protection	IP 00, RT built-in thermostat
Protection class	I
Lifetime	100 000 working cycles
Capillary length	1000 mm
Min. Radius of capillary bend	Rmin = 5mm
Connecting terminals	Flat pins 6,3 x 0,8 mm according to ČSN EN 612 10

In agreement with the manufacturer, the control range can be shifted to lower temperature, RT can be supplied in switchcable version or in 8801.01U with 90° outlets (angular version - see technical drawings). Further information can be obtained from the manufacturer.

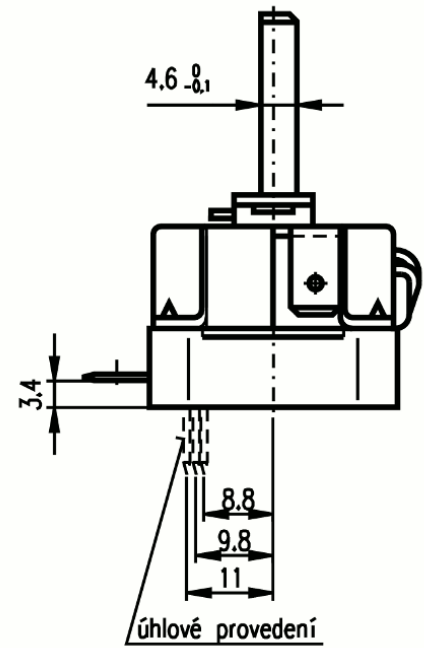
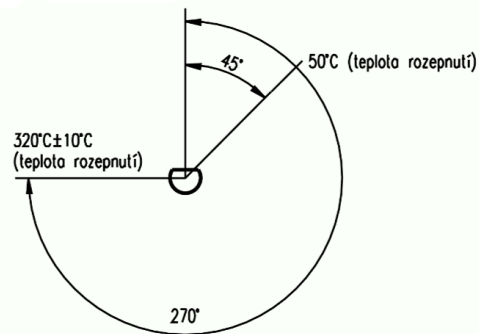
OVERVIEW OF TYPE DESIGNATION

Type	Control range [°C]	Design (break./ Switch.)	No. of terminals	Design (straight/ angular)	Ground pin
8804.01	50-320	Breaking	2	Straight	Yes
8804.01U	50-320	Breaking	2	Angular	Yes
8804.011	50-320	Switching	3	Straight	Yes
8804.011U	50-320	Switching	3	Angular	Yes

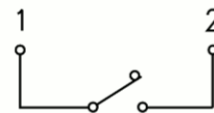
TECHNICAL DRAWINGS



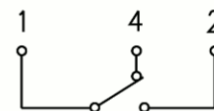
Control range



Wiring scheme in open position



Wiring scheme in close position



The terminal marking is made on the switch body

CONTACTS

APATOR METRA s.r.o.

Havlíčková 919/24
787 01 Šumperk
Czech Republic

Tel.: +420 583 718 261
E-mail: prodej@metra-su.cz
Web: www.metra-su.cz

Your distributor: