

CLAMP THERMOMETER DTTR

DESCRIPTION

Thermometer DTTR consists of a body in which a dial and a pointer are placed, and of a cup with an embedded bimetallic measuring system.

There is a rotating clip at the back of the body to attach the thermometer to pipes 3/8" and 1/2" (smaller clip) or 3/4" and 1". Rotating clip allows arbitrary turning of thermometer body. Thermometer is equipped with rotating holder with spring for attaching to pipes 5/4", 6/4" and 2". This version also allows arbitrary turning of thermometer body.

Aluminium heat conducting ring corresponding to pipe diameter is supplied as part of delivery (can be ordered also as accessory). Place the heat conducting ring to the pin in thermometer back before attaching thermometer to the pipe.



ORDERING

For common purpose:

- Thermometer name and type
- Diameter of measure pipe
- Quantity

SPARE PARTS

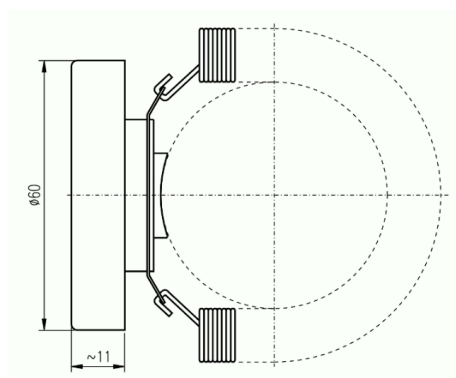
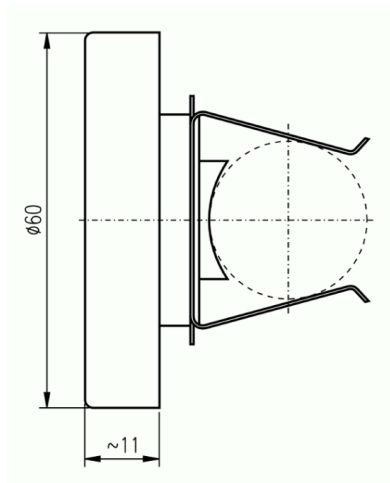
- Heat conducting rings can be ordered separately

SPECIAL SPARE PARTS

- Service set - contains 3 pcs of thermometers plus 7 pcs of heat conducting rings as above
- Single thermometer for required pipe dimensions with any quantity of heat conducting rings.

Scale range	0°C - 120°C	
Scale division	1°C	
Pipe diameter (JS)	3/8"; 1/2"; 3/4"; 1"; 5/4"; 6/4"; 2"	Accuracy
		±5°C at 20°C
		±3°C at 50°C
		±5°C at 80°C
Version	Nominal diameter	Outer ø of pipe (mm)
1/2"	DN 15	21,0 - 21,8
3/4"	DN 20	26,5 - 27,3
1"	DN 25	33,0 - 34,3
5/4"	DN 32	42,0 - 42,9
6/4"	DN 40	47,9 - 48,8
2"	DN 50	59,7 - 60,8

TECHNICAL DRAWINGS



CONTACTS

APATOR METRA s.r.o.

Havlíčková 919/24

787 01 Šumperk

Czech Republic

Tel.: +420 583 718 261

E-mail: prodej@metra-su.cz

Web: www.metra-su.cz

Your distributor:

The manufacturer reserves the right to change design, technical specifications and accessories without prior notice.

K2024/04a