

CAPILLARY THERMOSTAT RT 8803

DESCRIPTION

Capillary thermostat Rt is a single-pole temperature regulator based on the principle of liquid dilatation. It consists of two basic parts: switching unit and capillary temperature sensor. There is a protective earth pin on the cover. Regulated temperature can be set in control range by user. RT can be also used as anti-frost fuse. Installation is made by two M4 screws.



ADVANTAGES

- Variable location of temperature sensor in relation to position of switching unit
- Switching unit can be installed in any position
- Capillary can be bent according to installation need
- No consumption of electrical power
- Low operating and servicing costs

TECHNICAL DATA

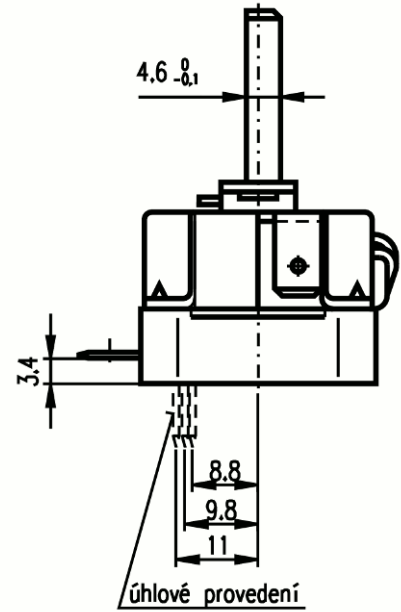
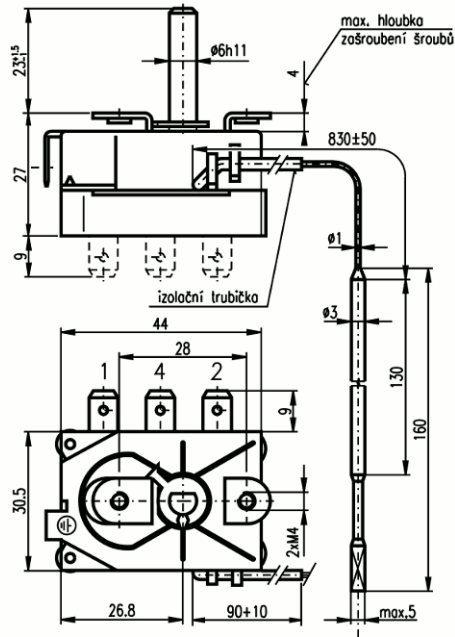
Control range	7°C ÷ 77°C
Variation of maximal cutout temperature	±6°C
Switching difference	2-5K
Rated current	16 (2,6) A
Rated voltage	240 V
Temperature range (switching unit)	0°C to 150°C
Max. temperature (sensor)	90°C
Protection	IP 00, built in thermostat
Protection class	I
Lifetime	100 000 working cycles
Capillary length	500 mm
Min. Radius of capillary bend	Rmin = 5mm
Connecting terminals	Flat pins 6,3 x 0,8 mm according to ČSN EN 612 10

By agreement with the manufacturer, the control range can be shifted to a lower temperature, RT can be supplied in a switchable version or in 8803.02U with 90° (angular version - see technical drawings). Further information can be obtained from the manufacturer.

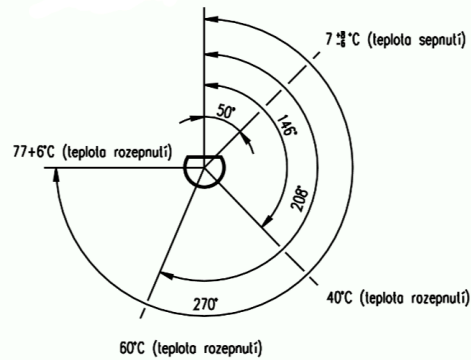
OVERVIEW OF TYPE DESIGNATION

Type	Control range [°C]	Design (break./switch.)	No. of terminals	Design (straight/angular)	Ground pin
8803.02	7-77	Breaking	2	Straight	Yes
8803.02U	7-77	Breaking	2	Angular	Yes
8803.021	7-77	Switching	3	Straight	Yes
8803.021U	7-77	Switching	3	Angular	Yes

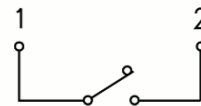
TECHNICAL DRAWINGS



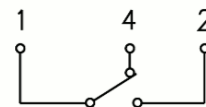
Control range



Wiring scheme in open position



Wiring scheme in close position



The terminal marking is made on the switch body

CONTACTS

APATOR METRA s.r.o.

Havlíčková 919/24
787 01 Šumperk
Czech Republic

Tel.: +420 583 718 261
E-mail: prodej@metra-su.cz
Web: www.metra-su.cz

Your distributor:

The manufacturer reserves the right to change design, technical specifications and accessories without prior notice.

K2024/03a